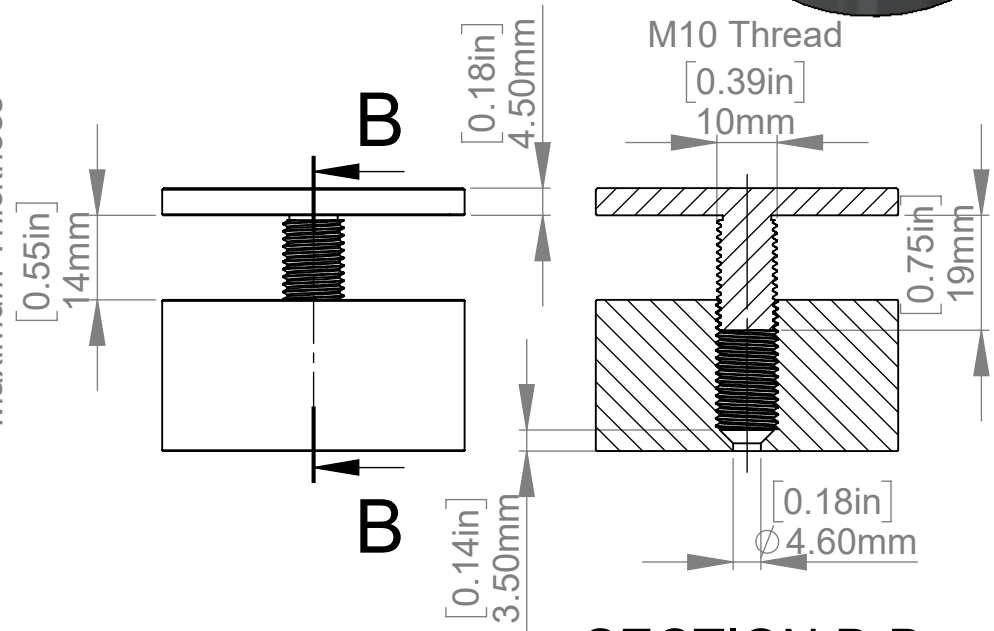
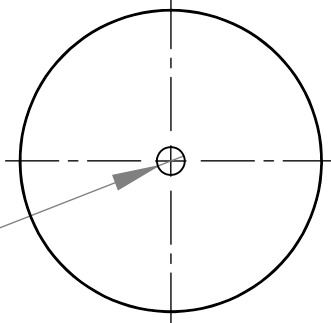


No Minimum Thickness

Maximum Thickness

SECTION A-A  
SCALE 1 : 1.25

[0.18in]  
Ø 4.60mm



SECTION B-B  
SCALE 1 : 1.25

ITEM NO.	PART NUMBER	DESCRIPTION	QTY.
1	AS50-30-A		1
2	AS50-30-B		1

Title : <b>AS50-30</b>			Scale : 1:1	Mbs R&D		
 Mbs Standoffs 6420 Benjamin Rd Tampa, FL 33834 USA 813-938-6025			Sizes : Letter Landscape	Customer:		
Material:		Finish	Qty :	Rep :		
N°programme laser		N°prog. Mécanum.	N° Plan : AS50-30			