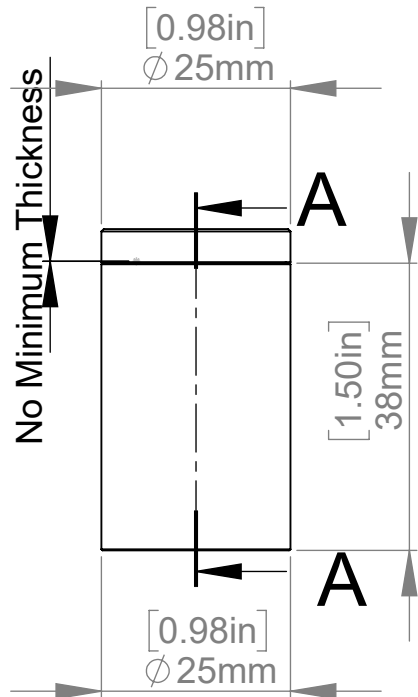
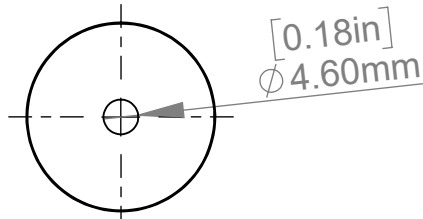


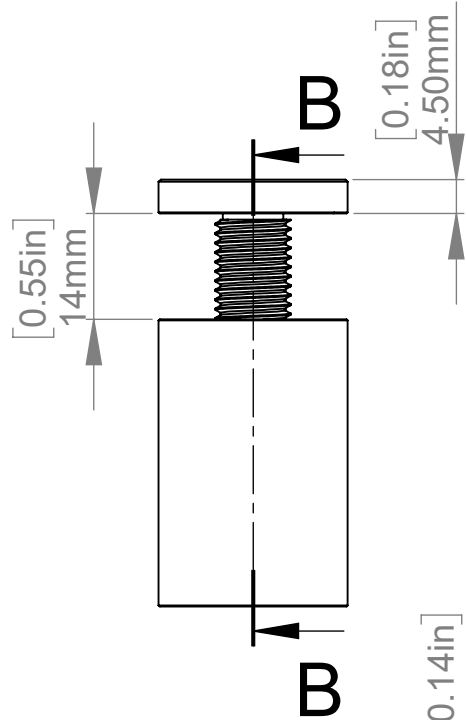
SECTION A-A



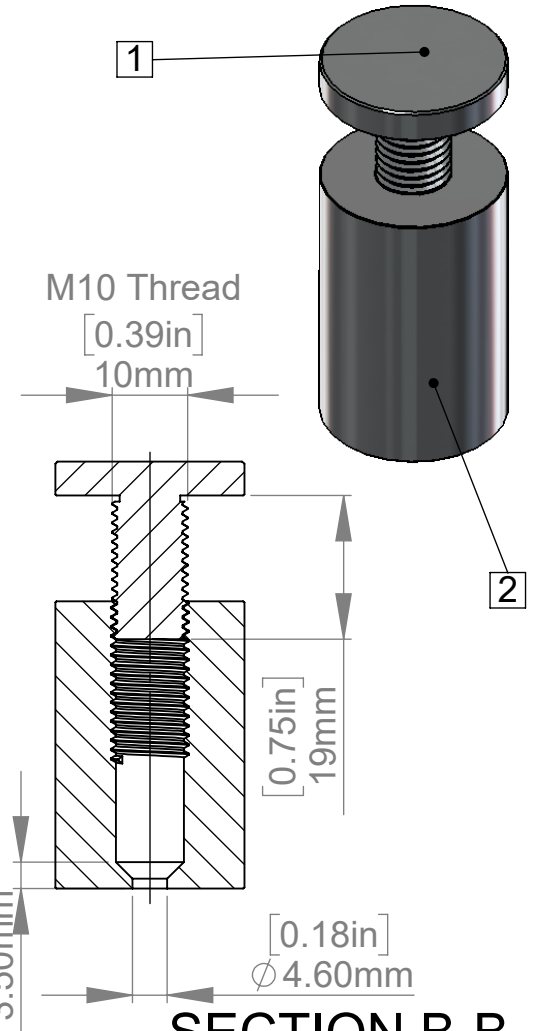
No Minimum Thickness



Maximum Thickness



B



SECTION B-B

ITEM NO.	PART NUMBER	DESCRIPTION	QTY.
1	AS25-38-A		1
2	AS25-38-B		1

Title : AS25-38			Scale : 1:1	Mbs R&D	
			Sizes : Letter Landscape	Customer:	
	Mbs Standoffs 6420 Benjamin Rd Tampa, FL 33834 USA 813-938-6025	Material:	Finish	Qty :	Rep :
		N°programme laser	N°prog. Mécanum.	N° Plan : AS25-38	