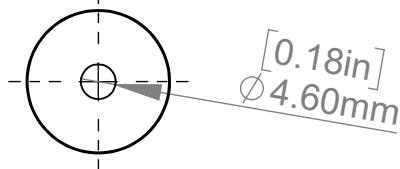
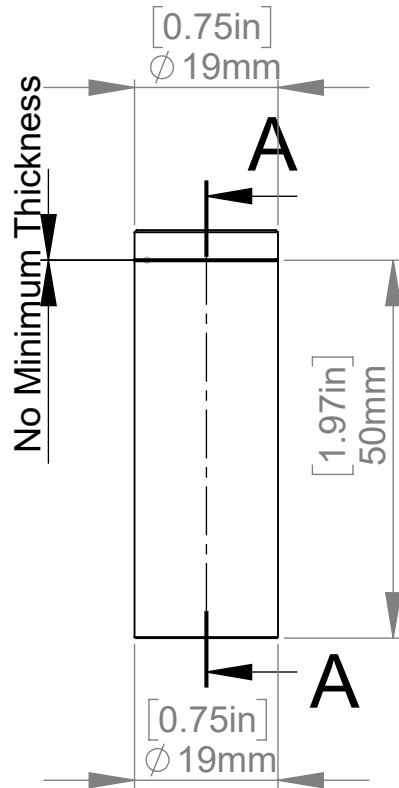
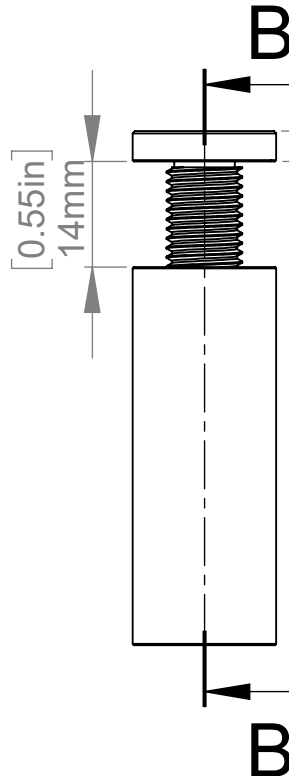


[0.18in]  
Ø 4.60mm

**SECTION A-A**



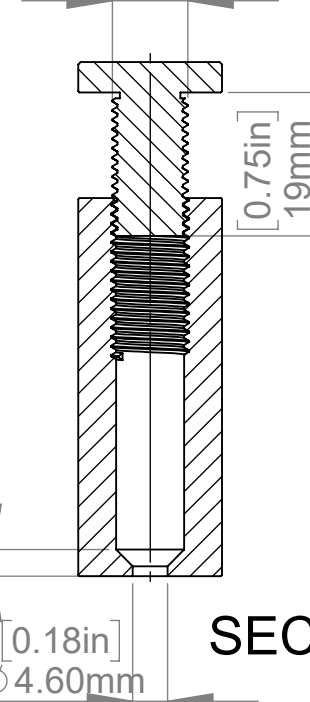
Maximum Thickness



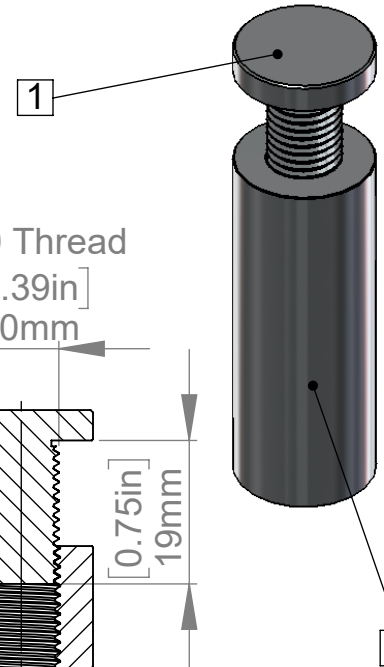
[0.14in]  
3.50mm

[0.18in]  
Ø 4.60mm

M10 Thread  
[0.39in]  
10mm



**SECTION B-B**



ITEM NO.	PART NUMBER	DESCRIPTION	QTY.
1	AS19-50-A		1
2	AS19-50-B		1

Title : <b>AS19-50</b>			Scale : 1:1	Mbs R&D	
			Sizes : Letter Landscape	Customer:	
	Mbs Standoffs 6420 Benjamin Rd Tampa, FL 33834 USA 813-938-6025	Material:	Finish	Qty :	Rep :
		N°programme laser	N°prog. Mécanum.	N° Plan : AS19-50	