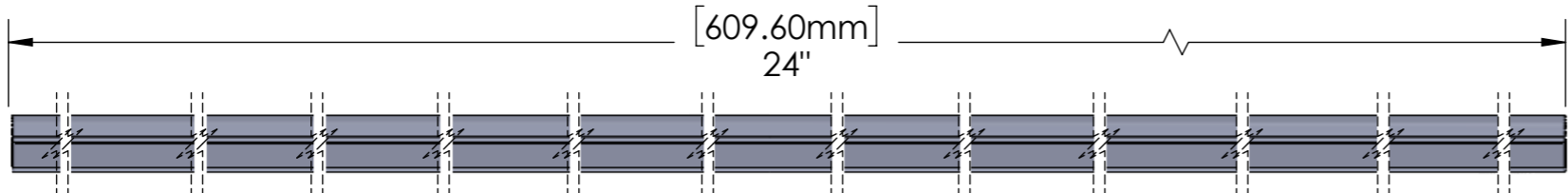
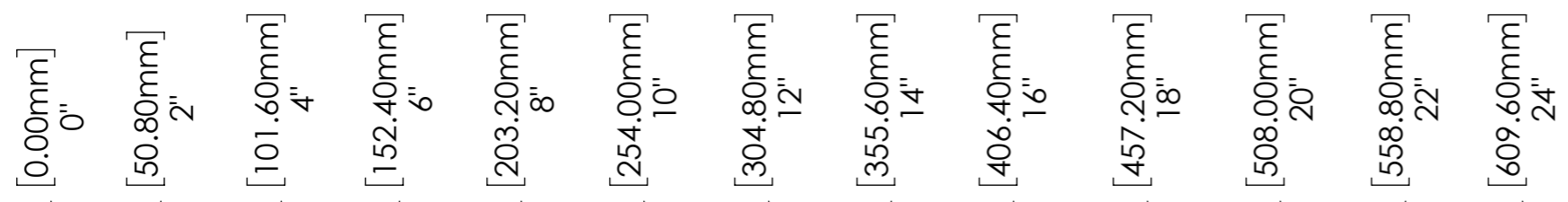


6 5 4 3 2 1

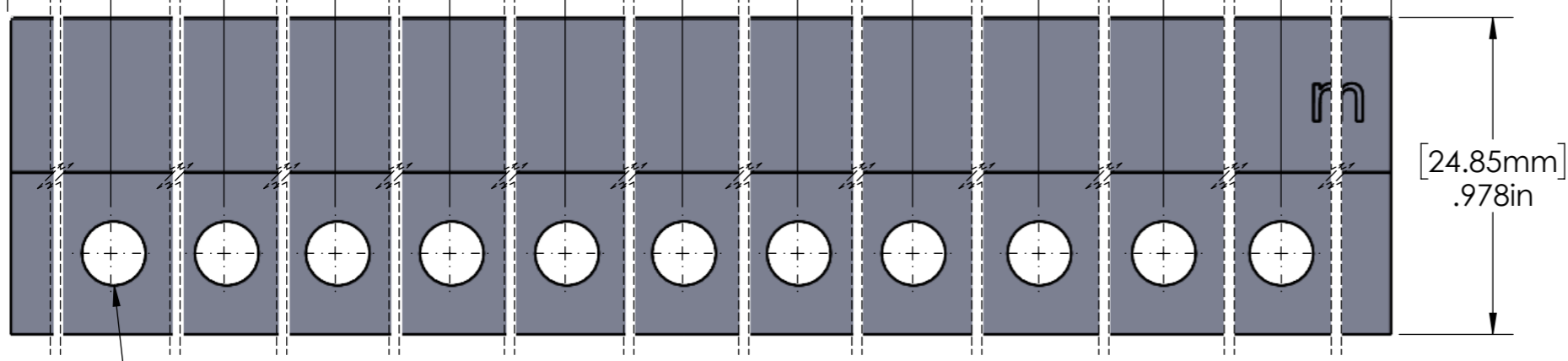
D



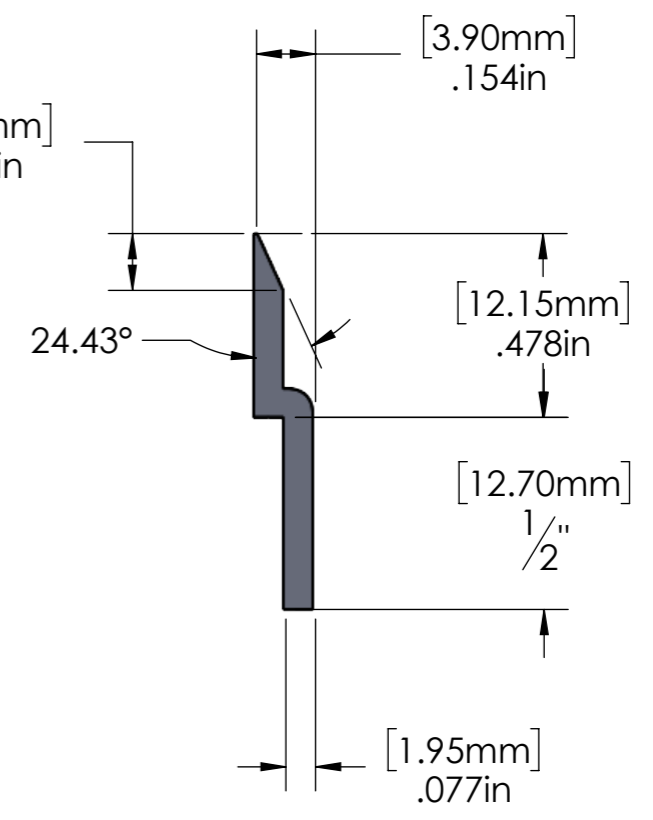
C



B



[5.00mm]
11x ϕ .197in



A

TITLE		 Tolerance : OD \pm .005in [.125mm] ID \pm .003in [.075mm] Length \pm .005in [.125mm]	Scale: 2:1	Mbs R&D	
ZCPO-24			Size: A3	Customer:	
 Mbs Standoffs 5046 W Linebaugh Ave, Tampa, FL 33624 USA 1(813)-938-6025	Material	Finish	Qty:	Rep:	
	N' Program laser	N'Prog. Mecanum	Plan:		

6 5 4 3 2 1