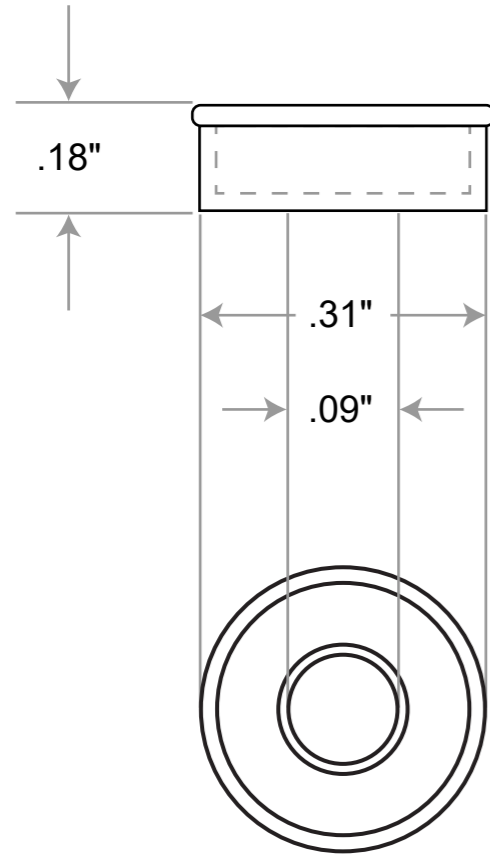
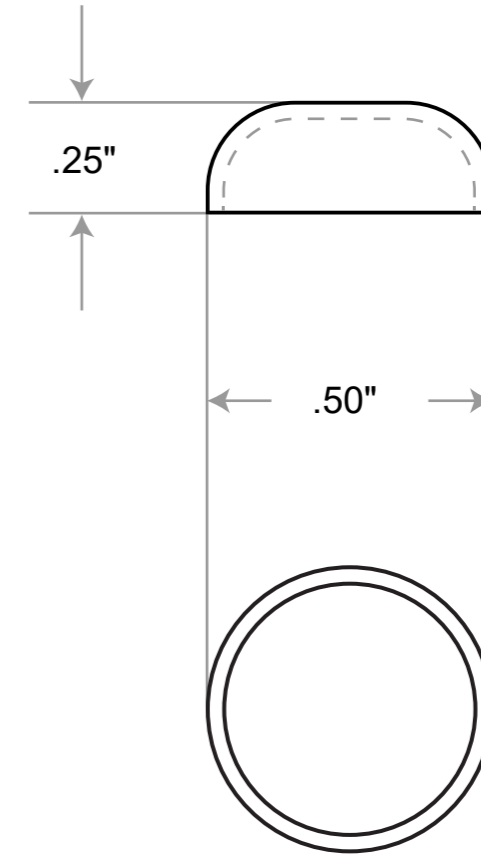


Snap-Cap washer for screw  
#6, #8, M3, M4



Snap-Cap for screw  
#6, #8, M3, M4



Washer for flat head  
screw use Item #: W6/8FB



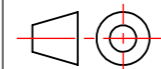

Washer for countersunk  
screw use Item #: W6/8CS



*Washer Sold Separately*



*Drawing Is Not To Scale*

<b>Title: SC6/8LGG</b> 	Cap Height: 1/4"		Mbs R&D	
	Diameter: 1/2"		Customer:	
 Htm-Mbs 5046 W Linebaugh Tampa, FL 33624 T: 1 (813) 938-6025	Material: High-Impact UV Stabilized Plastic  N° program laser	Finish: Light Grey Gloss	Qty:	Rep:
		N° prog. Mecan	N° Plan: N° Plan:	