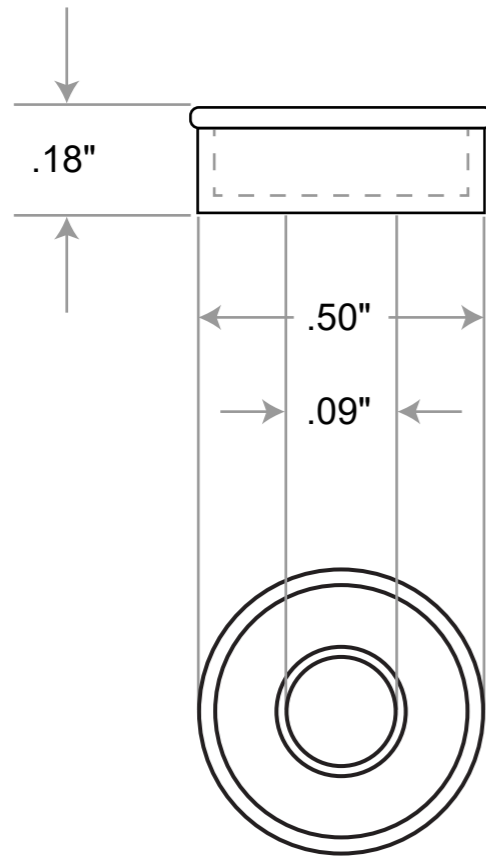
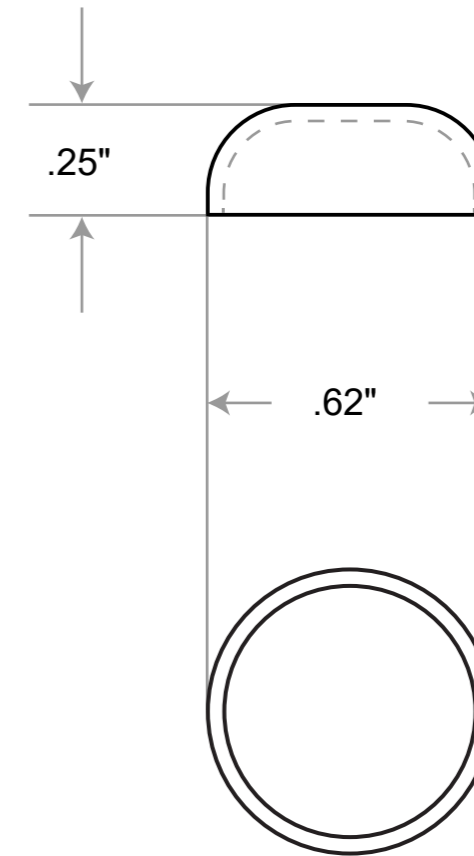


Snap-Cap washer for screw  
#10, #12, #14, M5, M6



Snap-Cap for screw  
#10, #12, #14, M5, M6



Washer for flat head  
screw use Item #: W10/12FB



Washer for countersunk  
screw use Item #: W10/12CS



*Washer Sold Separately*

*Drawing Is Not To Scale*

|                   |   |  |                        |      |      |
|-------------------|---|--|------------------------|------|------|
| Item #: SC10/12MG |   | Cap Height: 1/4"                               | Mbs R&D                |      |      |
|                   |   | Diameter: 5/8"                                 | Customer:              |      |      |
|                   | Htm-Mbs<br>5046 W Linebaugh<br>Tampa, FL 33624<br>T: 1 (813) 938-6025 | Material: High-Impact UV<br>Stabilized Plastic | Finish: Mandarin Gloss | Qty: | Rep: |
|                   | N° program laser  | N° prog. Mecan                                 | N° Plan: N° Plan:      |      |      |