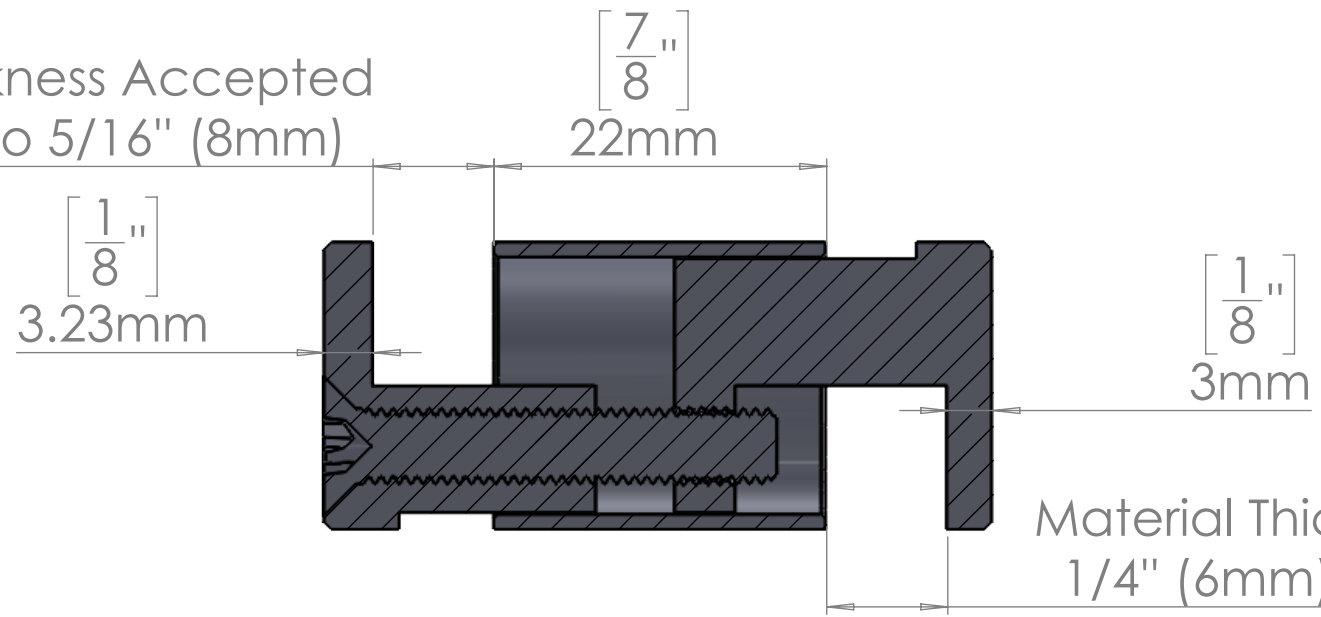


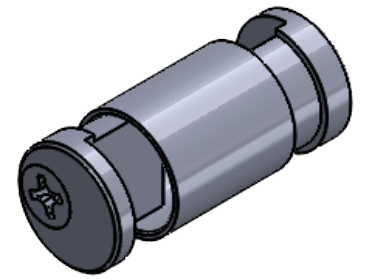
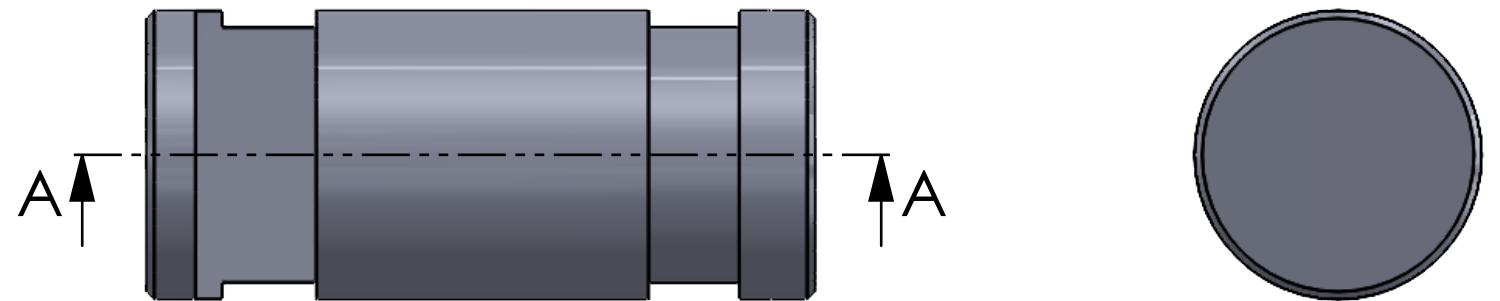
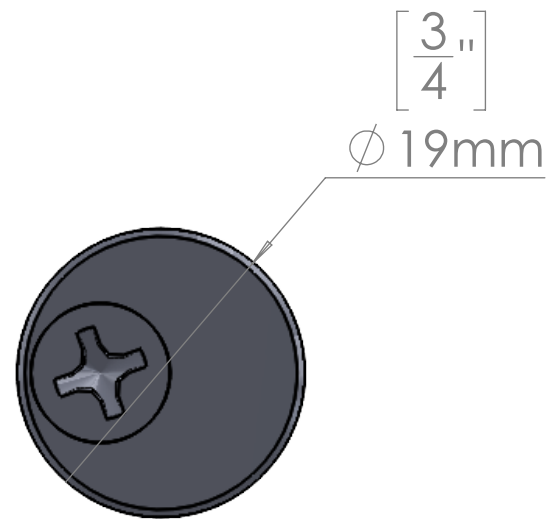
Material Thickness Accepted  
1/4" (6mm) to 5/16" (8mm)

Material Thickness Accepted  
1/4" (6mm) to 5/16" (8mm)



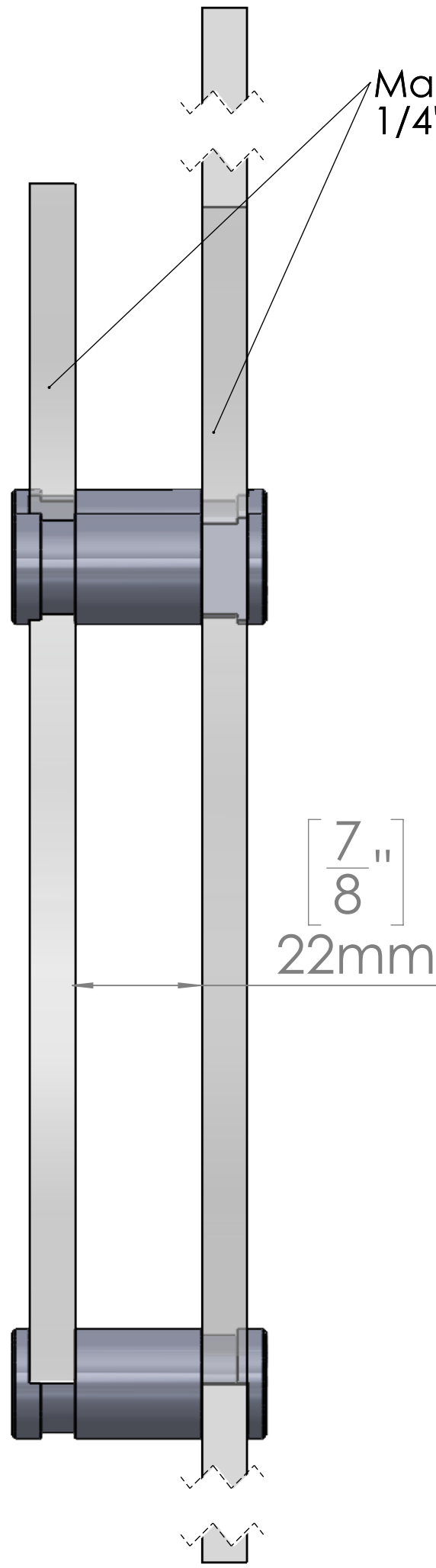
Material Thickness Accepted  
1/4" (6mm) to 5/16" (8mm)

SECTION A-A  
SCALE 2:1



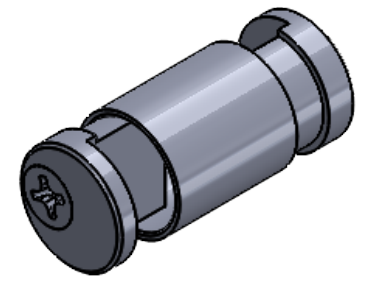
Sold By Set of 3

Title :	<b>ST075</b>		Scale : 2:1	Mbs R&D	
			Sizes : Letter Landscape	Customer:	
	Mbs Standoffs 5046 W Limebaugh Ave Tampa, FL 33624 USA 813-938-6025	Material: N°programme laser	Finish	Qty :	Rep :
			N°prog. Mécanum.	R100-280	

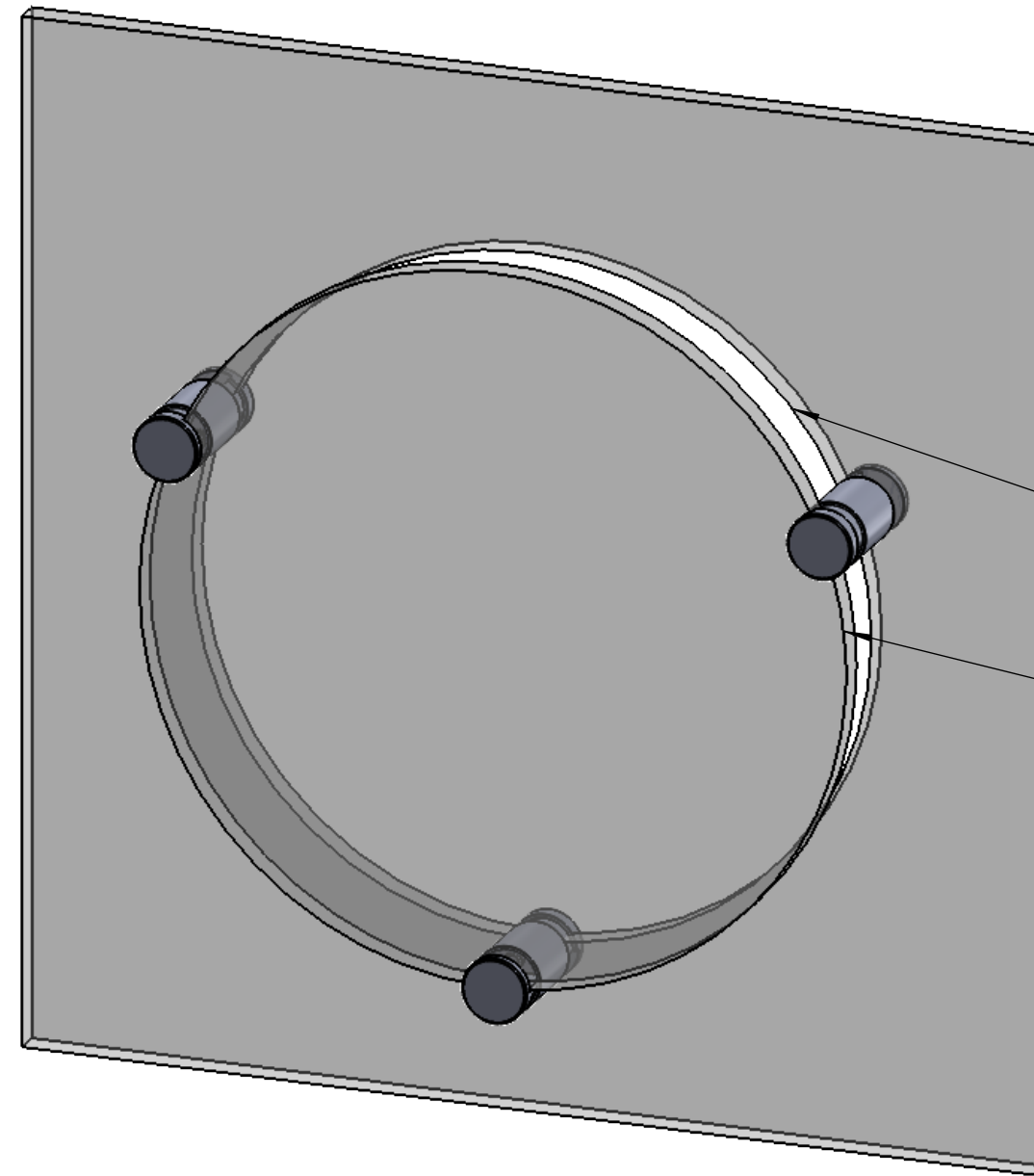


Material Thickness Accepted  
1/4" (6mm) to 5/16" (8mm)

$\left[ \frac{7}{8} \text{''} \right]$   
22mm



Sold By Set of 3



Diameter = D

Diameter = D + 5/16" (8mm)

Title :	ST075		Scale : 2:1	Mbs R&D	
			Sizes : Letter Landscape	Customer:	
	Mbs Standoffs 5046 W Limebaugh Ave Tampa, FL 33624 USA 813-938-6025	Material:	Finish	Qty :	Rep :
			N°programme laser	N°prog. Mécanum.	R100-280