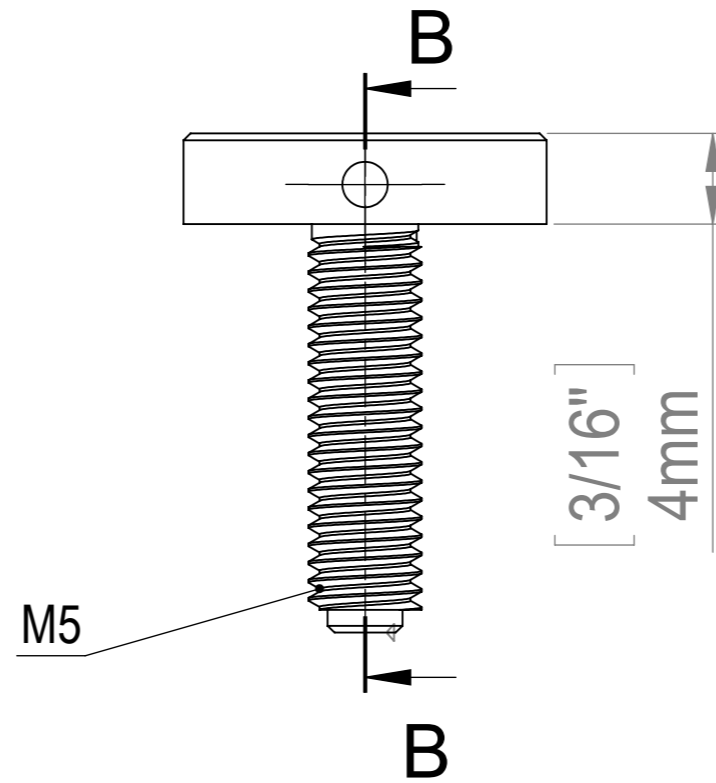
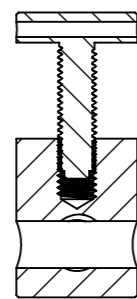
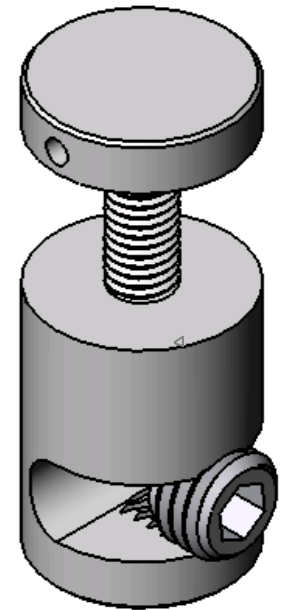


SECTION B-B

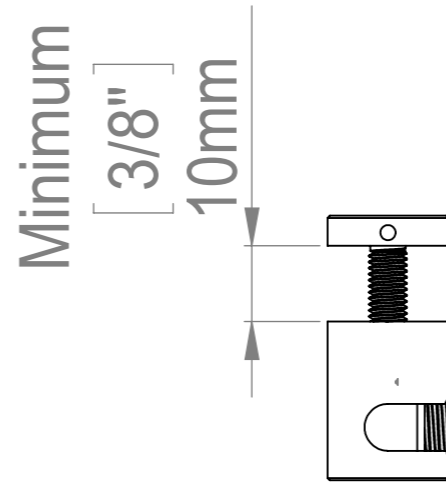
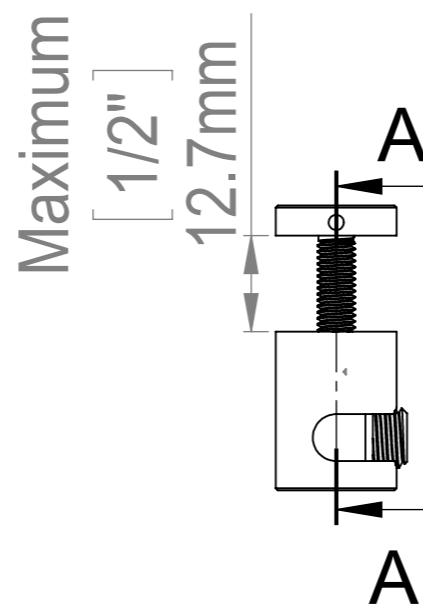


Special Head to hang
1/2" thickness material

For items:
SCA1640
SCA1642
SRA1640
SRA1642



SECTION A-A
SCALE 1 : 1



Title : RA1640-H12			Scale : 3:1	Mbs R&D	
			Sizes : Letter Landscape	Customer:	
 Htm-Mbs 6420 Benjamin Rd Tampa, FL 33634 T:1-813-938-6025	Material:	Finish	Qty :	Rep :	
	N°programme laser	N°prog. Mécanum.	N° Plan : RA1640-H12		