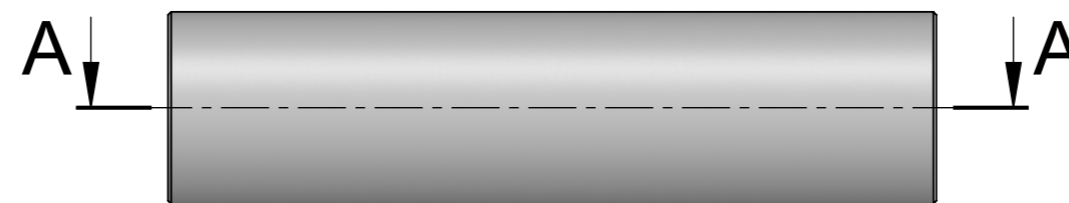
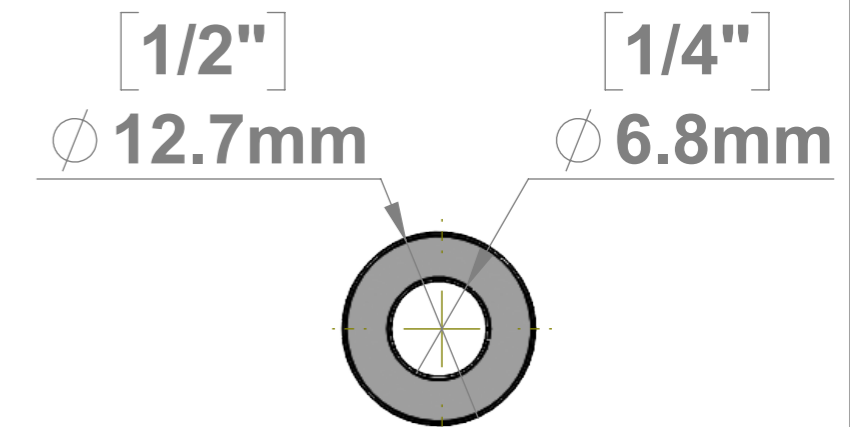
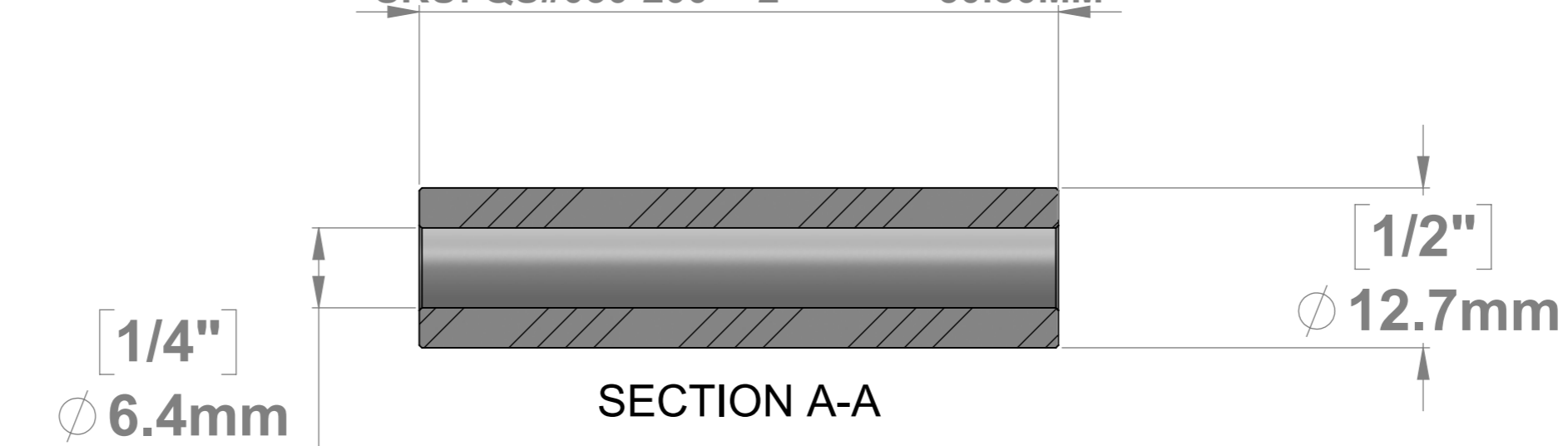
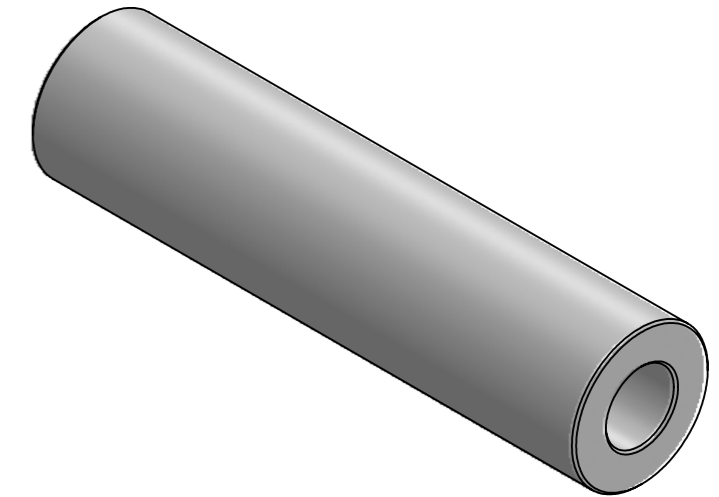


SKU: QS#050-025*	1/4" =>	6.35MM
SKU: QS#050-050*	1/2" =>	12.70MM
SKU: QS#050-075*	3/4" =>	19.05MM
SKU: QS#050-100*	1" =>	25.40MM
SKU: QS#050-125*	1-1/4" =>	31.80MM
SKU: QS#050-150*	1-1/2" =>	38.10MM
SKU: QS#050-175*	1-3/4" =>	44.50MM
SKU: QS#050-200*	2" =>	50.80MM



For Aluminum Replace "#" Per "A"

***Aluminum Finishes at the end:**

MF: Mill Finish

A: Clear Anodized

MB: Matte Black


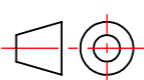
For Acrylic Replace :"#" Per "S"

***Acrylic Finishes at the end:**

C: Clear

B: Black

W: White

 Mbs Standoffs 5046 W Linebaugh Ave Tampa, FL 33624 USA 1 (813) 938-6025	Title : QSA050* QSS050*		Scale : 2:1	Mbs R&D	
	Material: N°programme laser		Finish N°prog. Mécanum.	Sizes : Letter Landscape	Customer:
					N° Plan :