

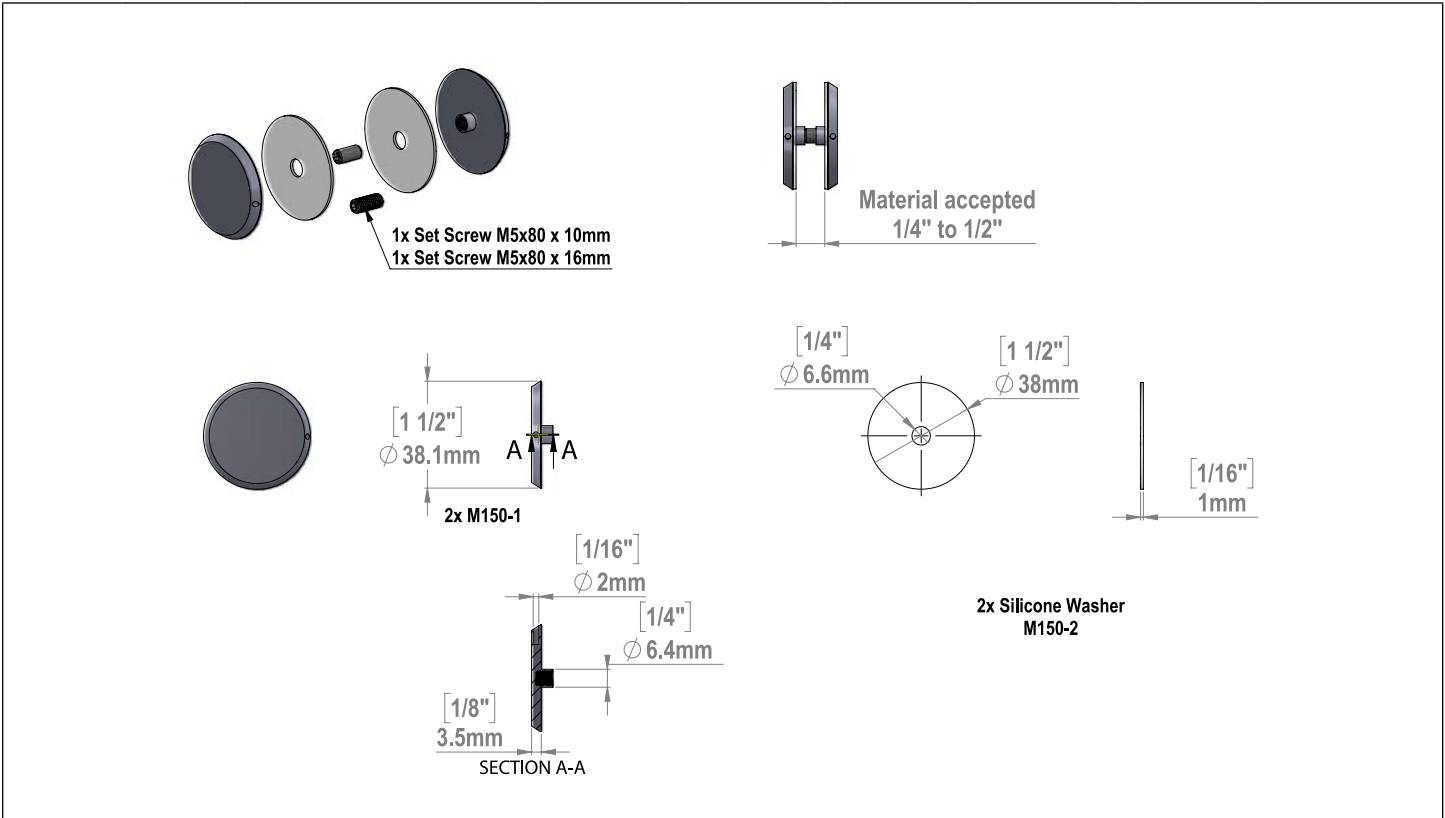


# Mall Front Clamps Specifications

SKU	MC150A	MC150AS	MC150MB	MC150G
	MC150BR	MC150SS304S	MC150SS304P	MC150SS304MB
	MC150SS316S	MC150SS316P	MC150SS316MB	

- Package Includes**
- ▶ 2 x Mall Front Clamps
  - ▶ 2 x Clear Silicone Washer
  - ▶ 1 x Set Screw M5 x 10mm
  - ▶ 1 x Set Screw M5 x 12mm in separate clear bag
  - ▶ 1 x 1.8 x 50mm pin (very strong material to tighten cap)

<b>Diameters</b>	1-1/2" ( 38mm )	<b>Thread</b>	M5X0.80
<b>Material Thickness Accepted</b>	Between 1/4" and 1/2" (6 to 12mm)	<b>Washers</b>	x 2 Clear Silicon
<b>Aluminum</b>	<ul style="list-style-type: none"> <li>▶ (A) Clear Anodized</li> <li>▶ (AS) Silver Anodized</li> <li>▶ (MB) Matte Black Anodized</li> <li>▶ (G) Gold Anodized</li> <li>▶ (BR) Champagne Anodized</li> </ul>	<b>Stainless Steel</b>	<ul style="list-style-type: none"> <li>▶ (S) Brushed</li> <li>▶ (P) Polished</li> <li>▶ (MB) Matte Black</li> </ul>
<b>Material Grades</b>	6063-T5, 304, 316	<b>Screws</b>	Zinc Plated, Stainless Steel



This document and the product mentioned in reference are the exclusive property of MBS-Standoffs, they can not be used, reproduced, disclosed or disclosed without prior authorization!