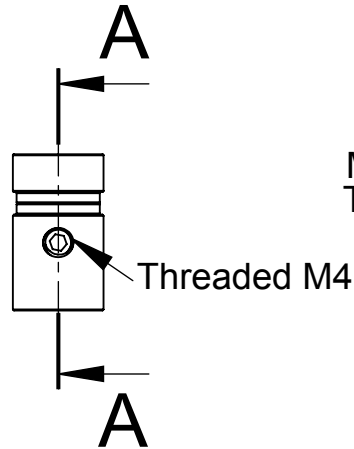
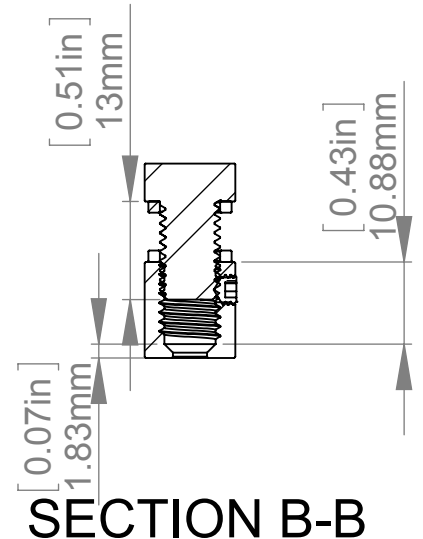
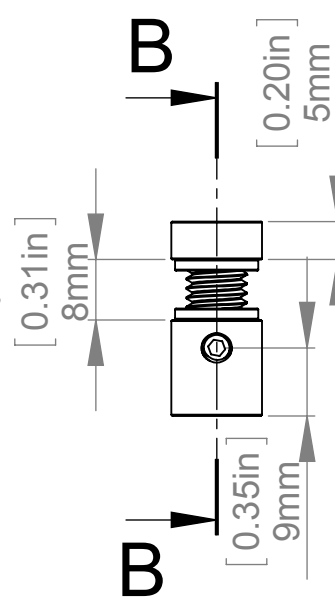


No Minimum Thickness

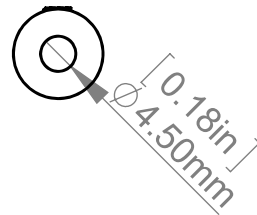


Maximum Thickness

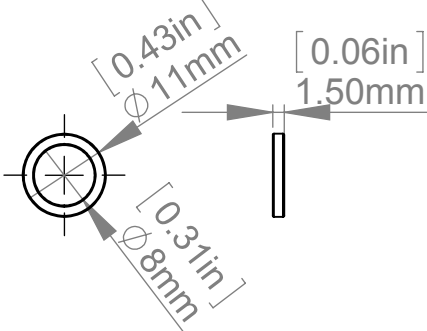


SECTION A-A

SECTION B-B

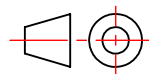


Silicone Washer



| Item | Qty. | Description |
|------|------|-----------------------|
| 1 | 1 | LBL12-12 Body (12x12) |
| 2 | 1 | SBL12 Head |
| 3 | 2 | SBL12 Washer |
| 4 | 1 | SS Set Screw M4x3 mm |

Title : **LBL12-12**



Scale : 1:1

Mbs R&D

Sizes : Letter Landscape

Customer:



MBS Sign USA
Tel.: 352-593-4151
Fax: 352-796-4437
Brooksville, FL

Material: 304

Finish

Qty :

Rep :

N°programme laser

N°prog. Mécanum.

N° Plan : LBL12-12