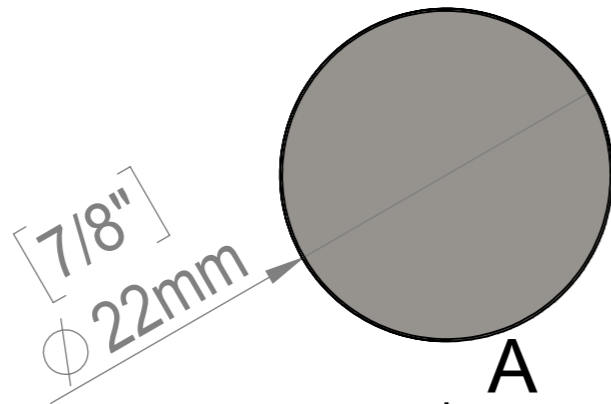
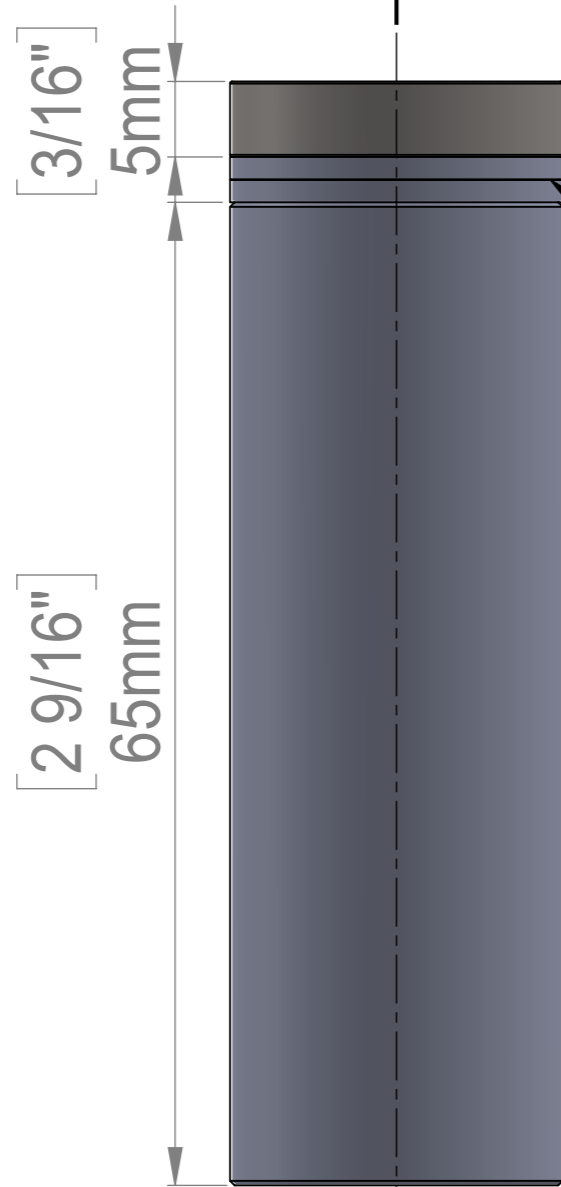


SECTION A-A

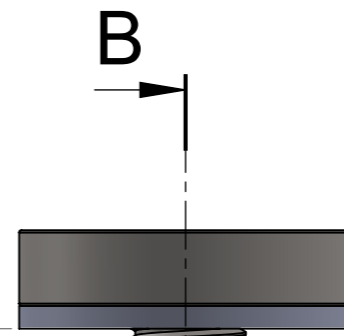


Maximum Material
Thick. Accepted
[1/2"]
12.7mm



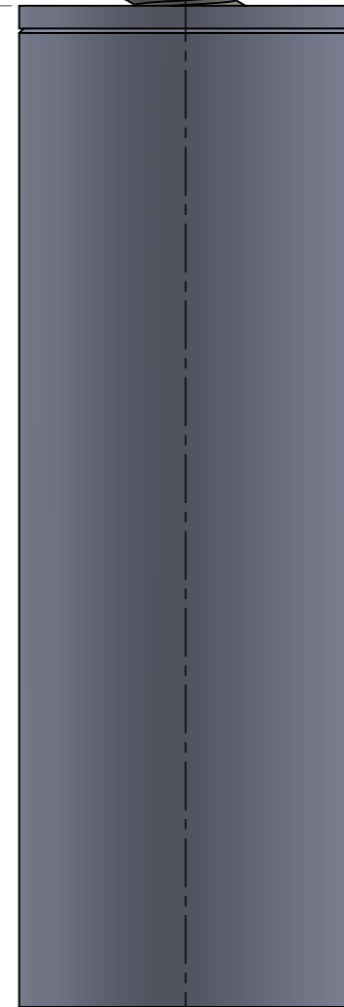
2 Silicone Washer

A

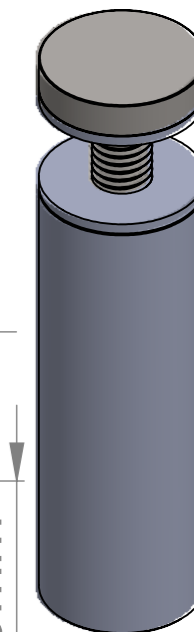
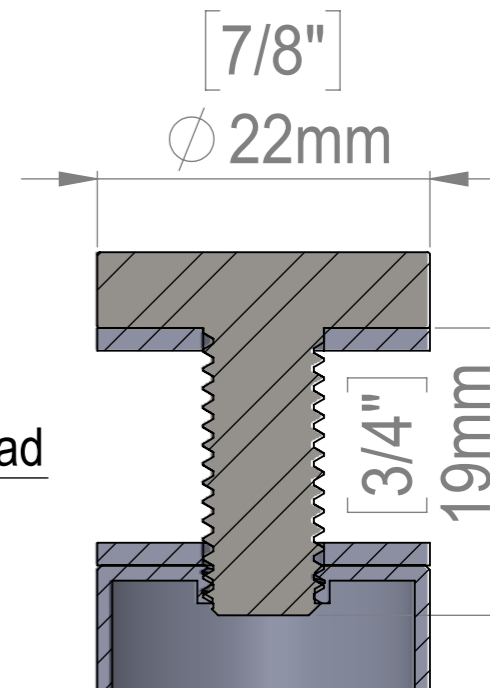


B

M10 Thread



B



SECTION B-B

[3/16"]
Ø 5mm

Title : HBL *22-70			Scale : 3.5:1	Mbs R&D	
 Htm-Mbs 5046 W Linebaugh Tampa, FL 33624 T: 1-813-938-6025			Sizes : Letter Landscape	Customer:	
Material: Hollow SS201		Finish: Satin Brushed	Qty :	Rep :	
N°programme laser		N°prog. Mécanum.	N°:		