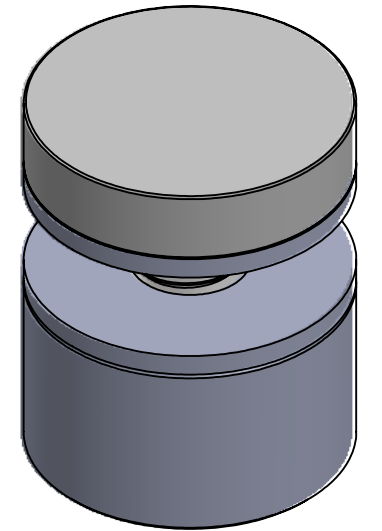
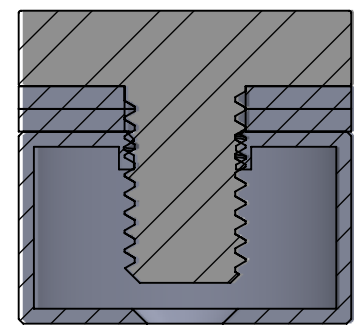


[7/8"]
 ϕ 22mm

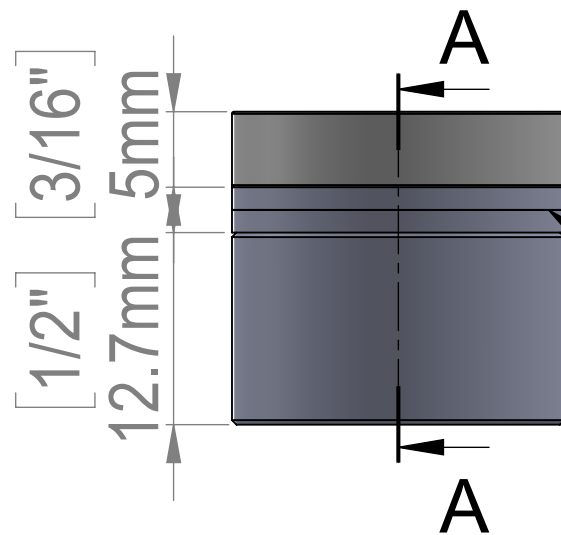


Maximum Material
 Thick. Accepted

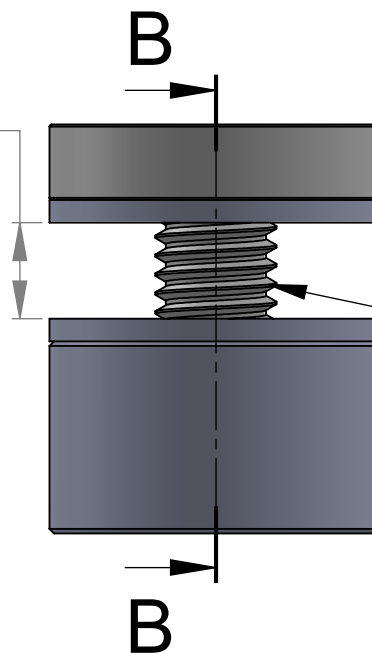
[1/4"]
 6.4mm



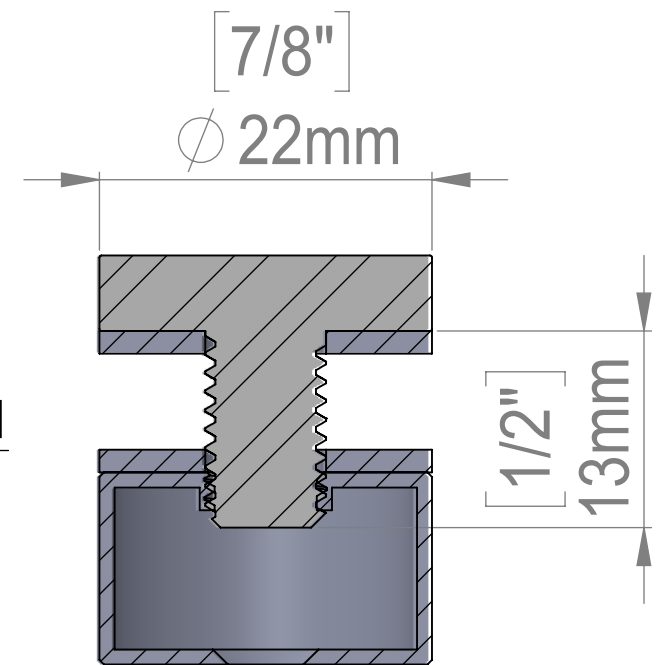
SECTION A-A



2 Silicone Washer



M10 Thread



SECTION B-B

| | | | | | | |
|---|------------------------|--|--------------------------|--|-----------|-------|
| Title : HBL *22-12 | | | Scale : 3.5:1 | | Mbs R&D | |
| | | | Sizes : Letter Landscape | | Customer: | |
| Htm-Mbs 5046 W Linebaugh Tampa, FL 33624 T: 1-813-938-6025 | Material: Hollow SS201 | | Finish: Satin Brushed | | Qty : | Rep : |
| | N°programme laser | | N°prog. Mécanum. | | N°: | |