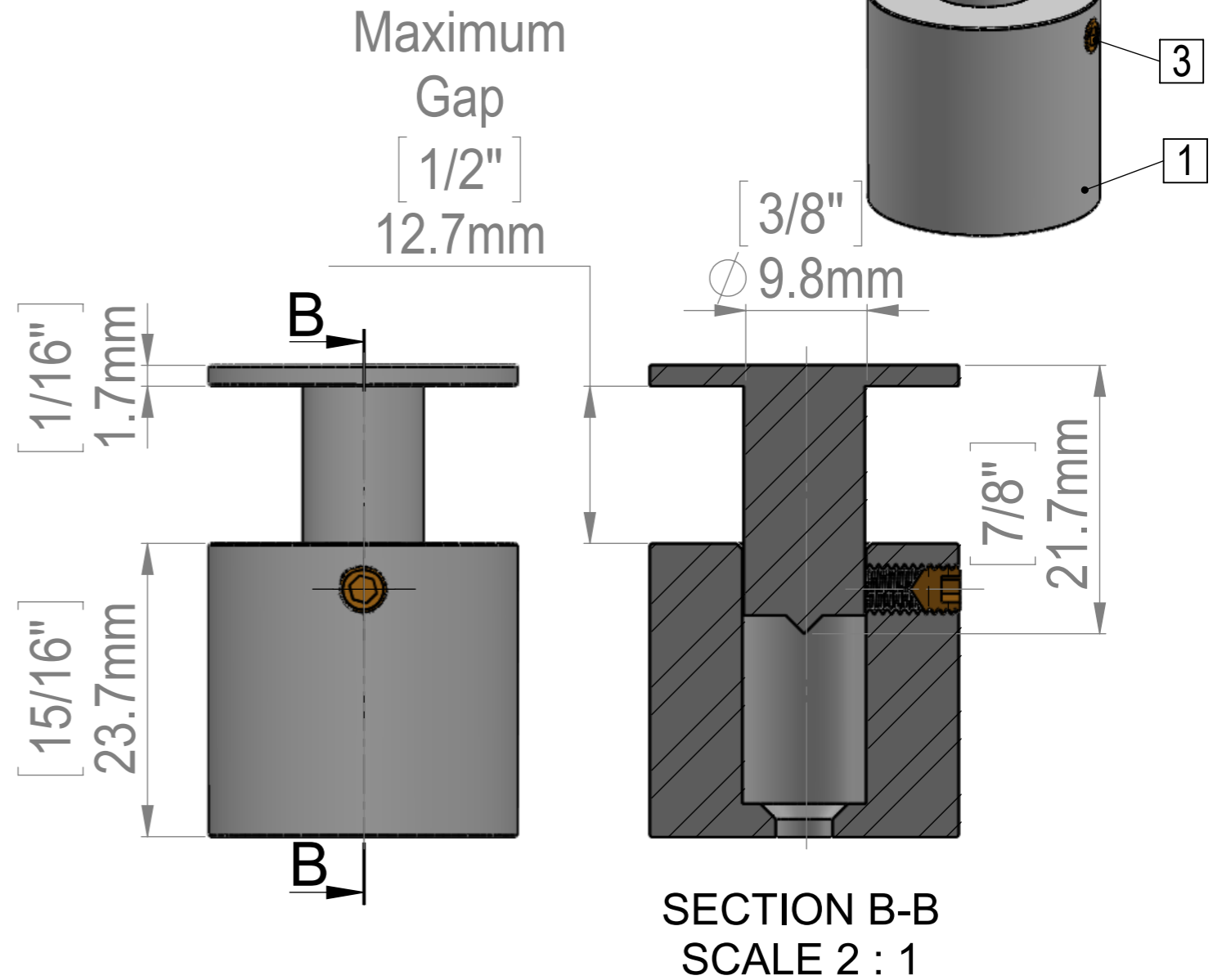
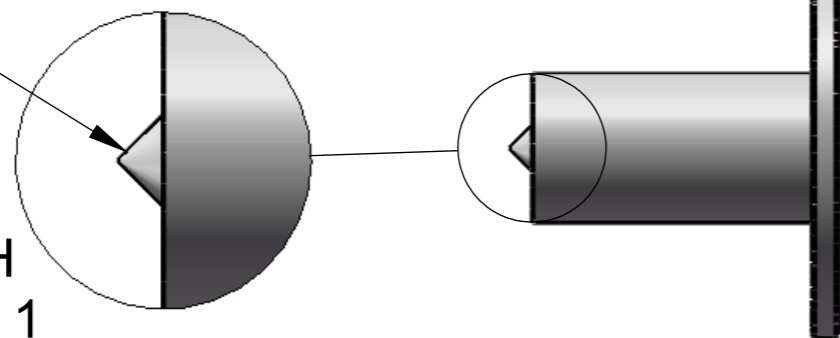


SECTION A-A
SCALE 2 : 1

Bit to mark material

DETAIL H
SCALE 4 : 1



SECTION B-B
SCALE 2 : 1

ITEM NO.	PART NUMBER	DESCRIPTION	QTY.
1	GS100-100_Body-25x25		1
2	GS100-100_Head		1
3	Set_Screw_M4xL4mm		1

Title : GS100-100		Scale : 1.5:1	Mbs R&D	
		Sizes : Letter Landscape	Customer:	
Material:		Finish	Qty :	Rep :
N°programme laser		N°prog. Mécanum.	N° Plan : GS100-100	