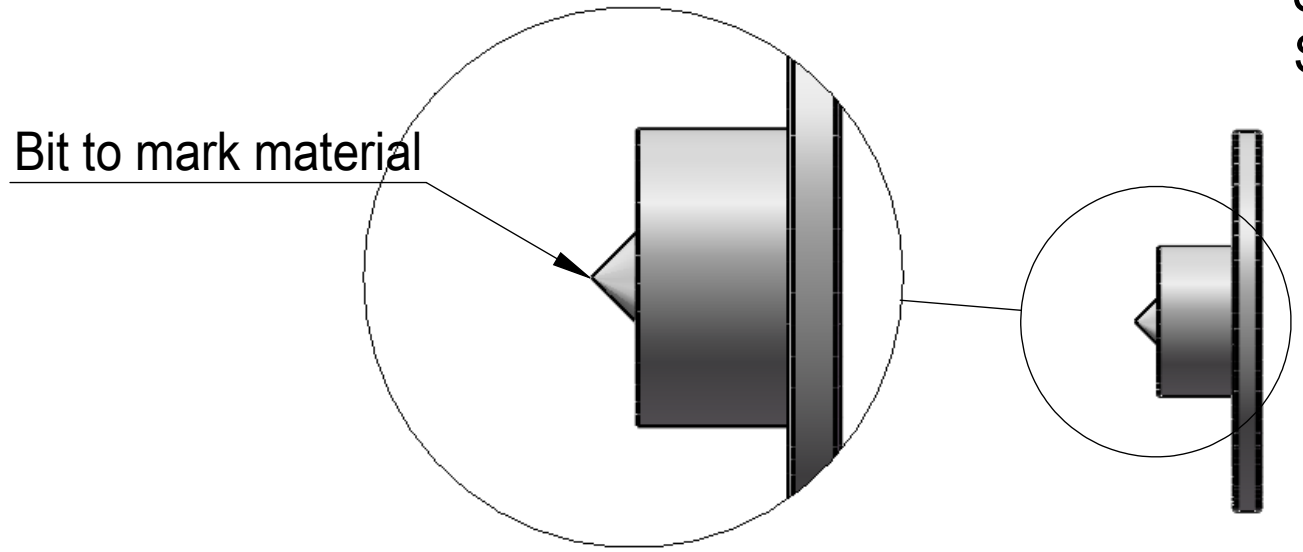
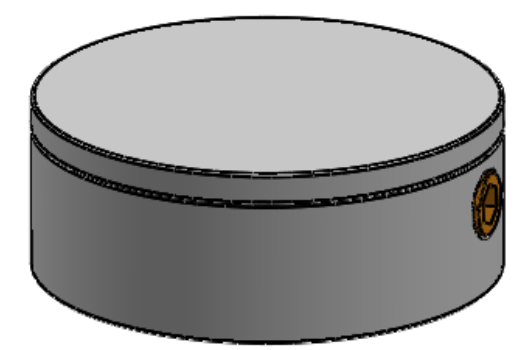
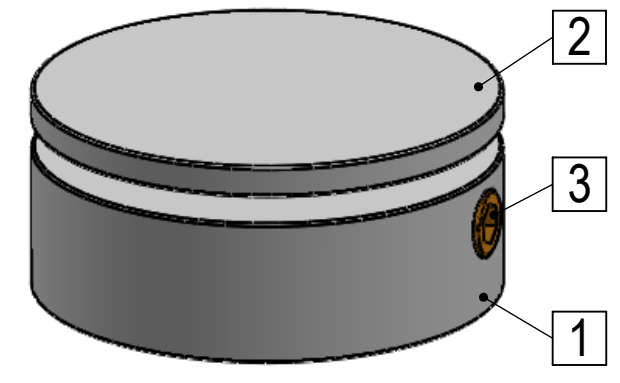
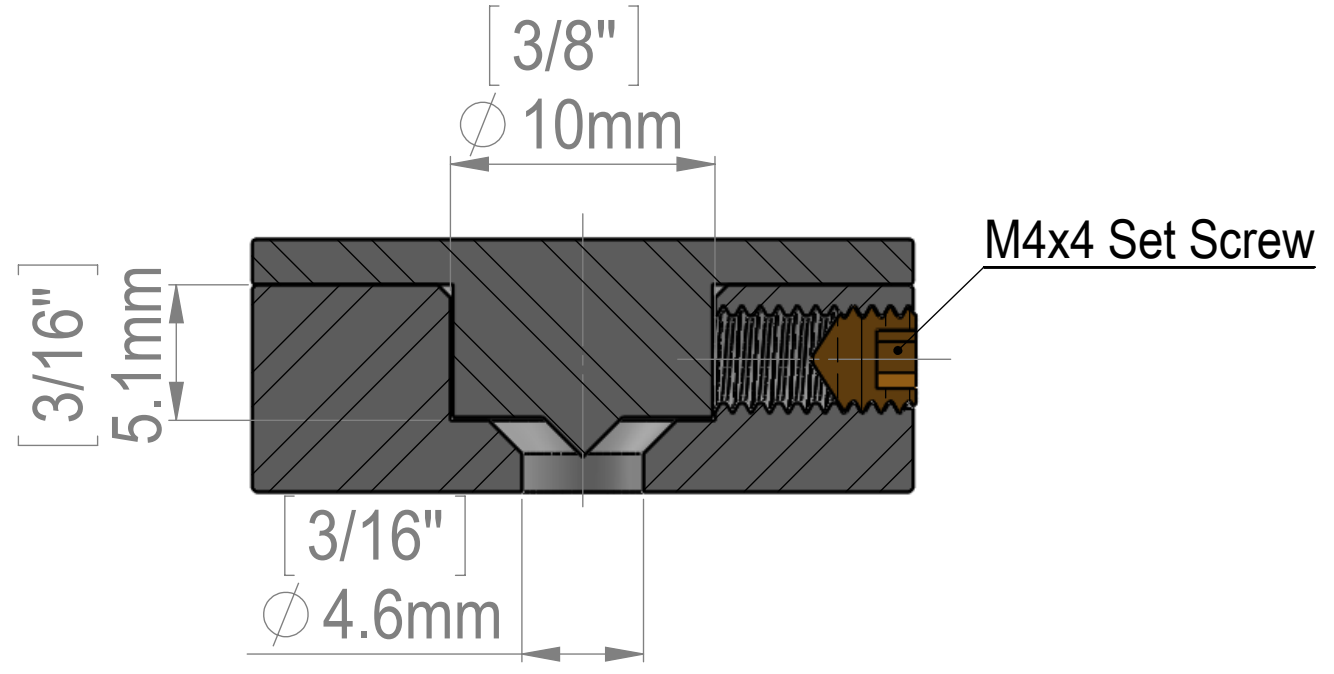
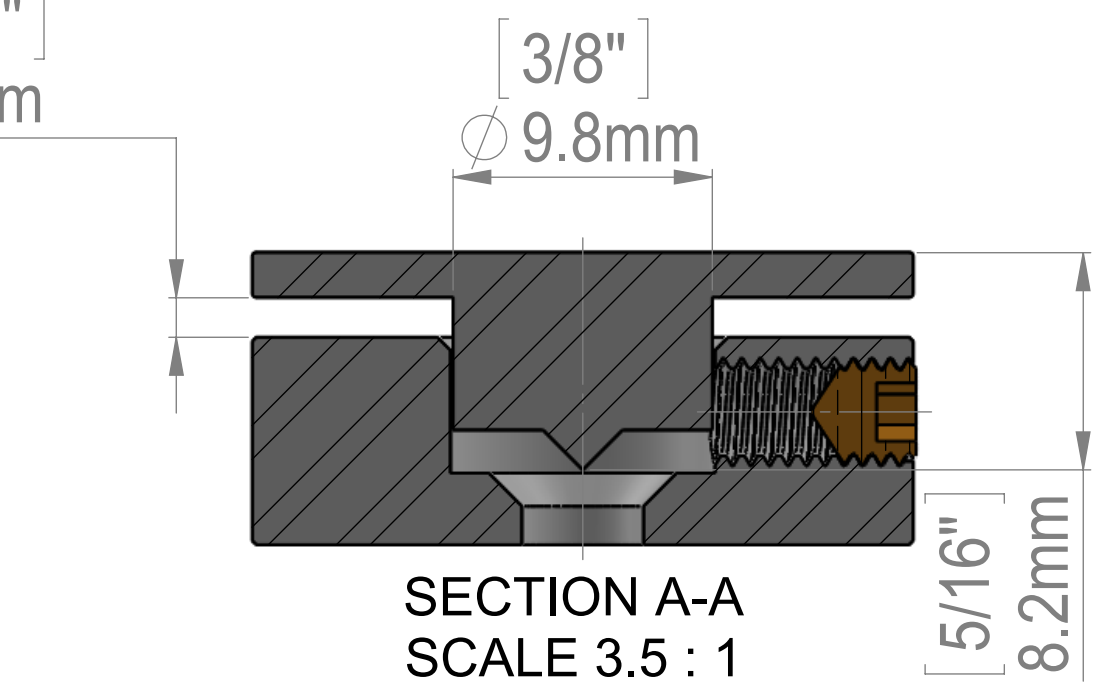


Maximum Gap  
 $\left[ \frac{1}{16}'' \right]$   
 1.5mm



ITEM NO.	PART NUMBER	DESCRIPTION	QTY.
1	GS100-050_Body-20x12		1
2	GS100-050-Head		1
3	Set_Screw_M4xL4mm		1

Title : GS100-050		Scale : 2.5:1	Mbs R&D	
		Sizes : Letter Landscape	Customer:	
Material:		Finish	Qty :	Rep :
N°programme laser		N°prog. Mécanum.	N° Plan : GS100-050	

Mbs Standoffs  
 6420 Benjamin Rd  
 Tampa, FL 33634  
 USA  
 813-938-6025