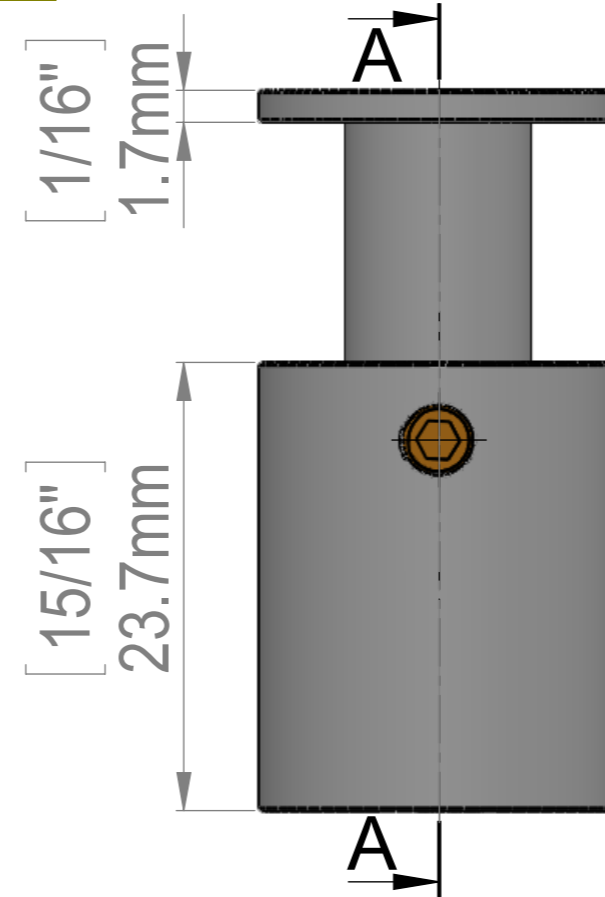
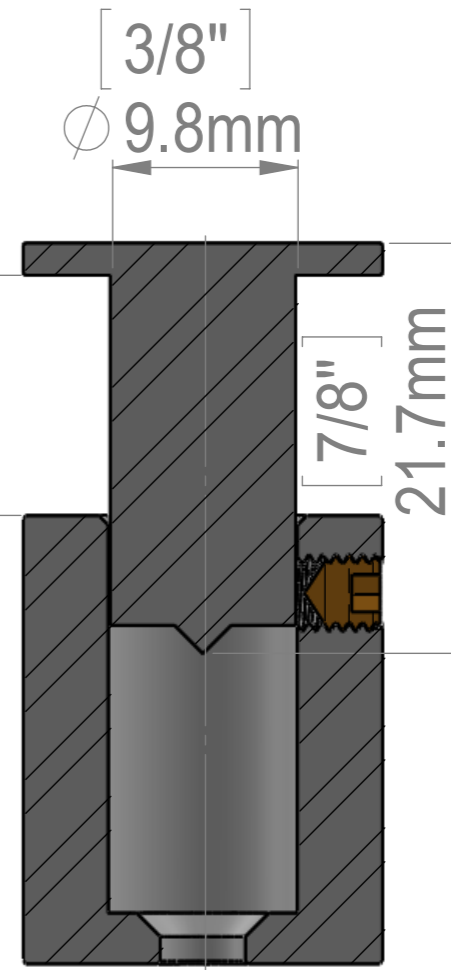


SECTION B-B
SCALE 2.5 : 1

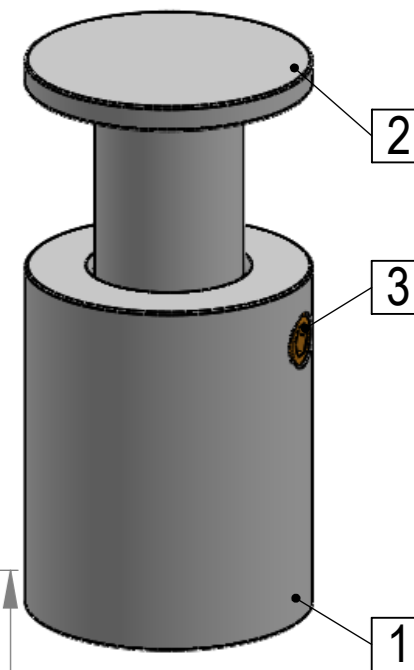
M4x4 Set Screw



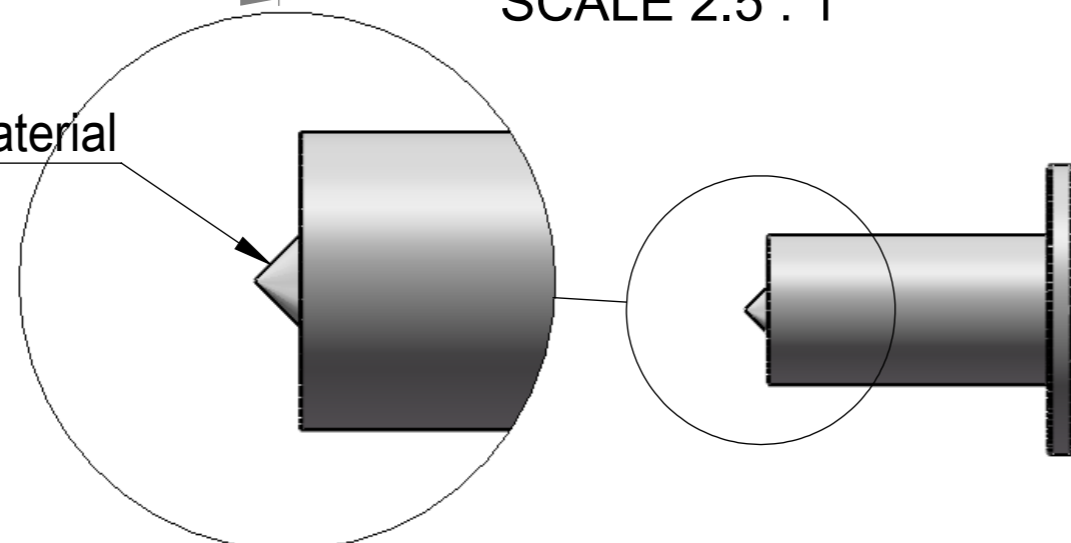
Maximum
Gap
 $\left[\frac{1}{2}'' \right]$
12.7mm



SECTION A-A
SCALE 2.5 : 1



Bit to mark material



ITEM NO.	PART NUMBER	DESCRIPTION	QTY.
1	GS075-100_Body-19x25		1
2	GS075-100_Head		1
3	Set_Screw_M4xL4mm		1

Title : GS075-100		Scale : 2:1	Mbs R&D	
		Sizes : Letter Landscape	Customer:	
Material:		Finish	Qty :	Rep :
N°programme laser		N°prog. Mécanum.	N° Plan : GS075-100	