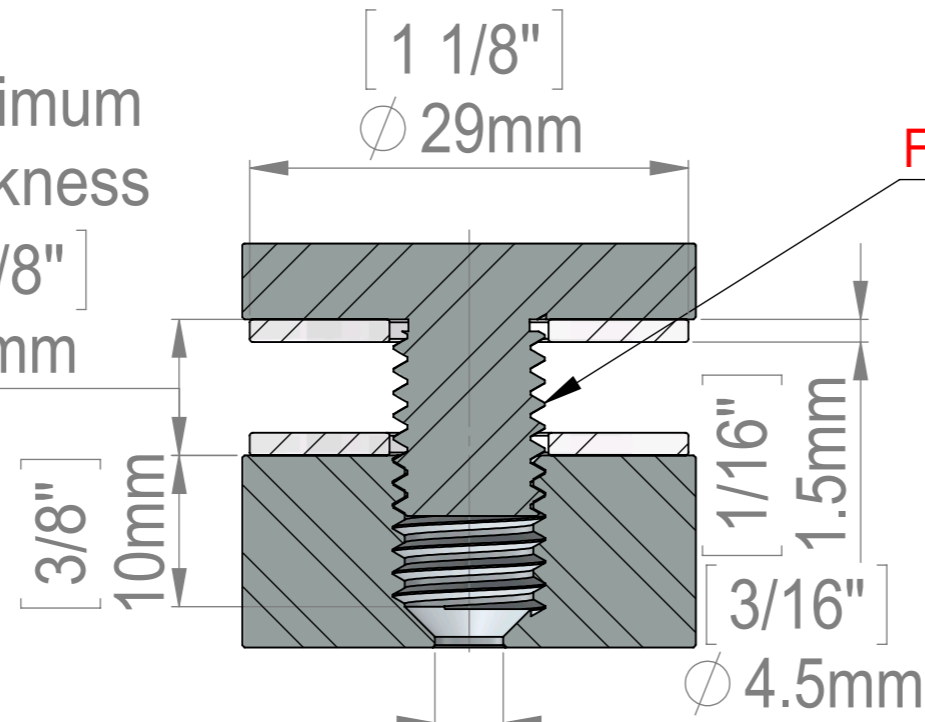
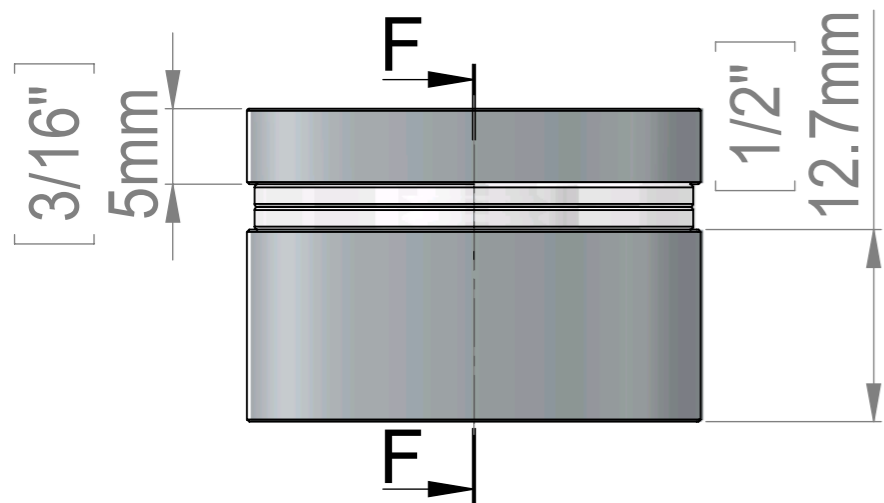


Maximum Thickness
 [3/8"]
 9mm



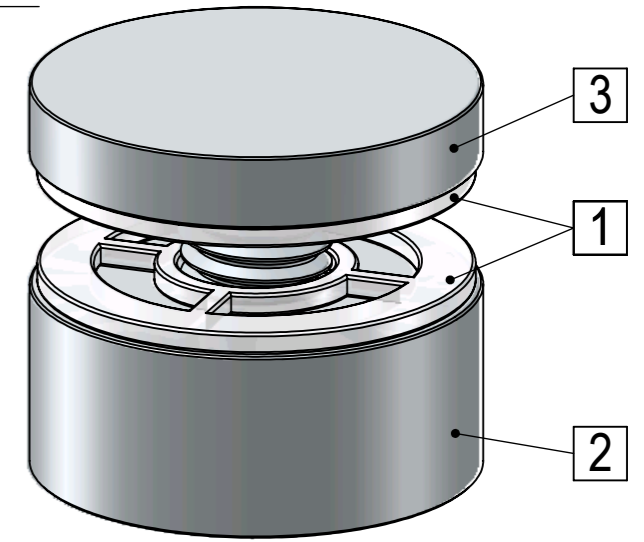
SECTION E-E
 SCALE 2 : 1

M10 Thread



SECTION F-F
 SCALE 2 : 1

Attention
 Reverse Threaded
 For Tamper Proof Perposes



ITEM NO.	PART NUMBER	DESCRIPTION	QTY.
1	FAH30_Washer		2
2	FAH30-12_Body-30x12-Reverse_Thread		1
3	HM1126A(FHA30-12)-Reverse_Thread		1

Title : FAH30-12		Scale : 2:1		Mbs R&D	
		Sizes : Letter Landscape		Customer:	
Material:		Finish		Qty :	Rep :
Mbs Standoffs 6420 Benjamin Rd Tampa, FL 33634 USA 813-938-6025		N°programme laser		N°prog. Mécanum.	
				N° Plan : FAH30-12	