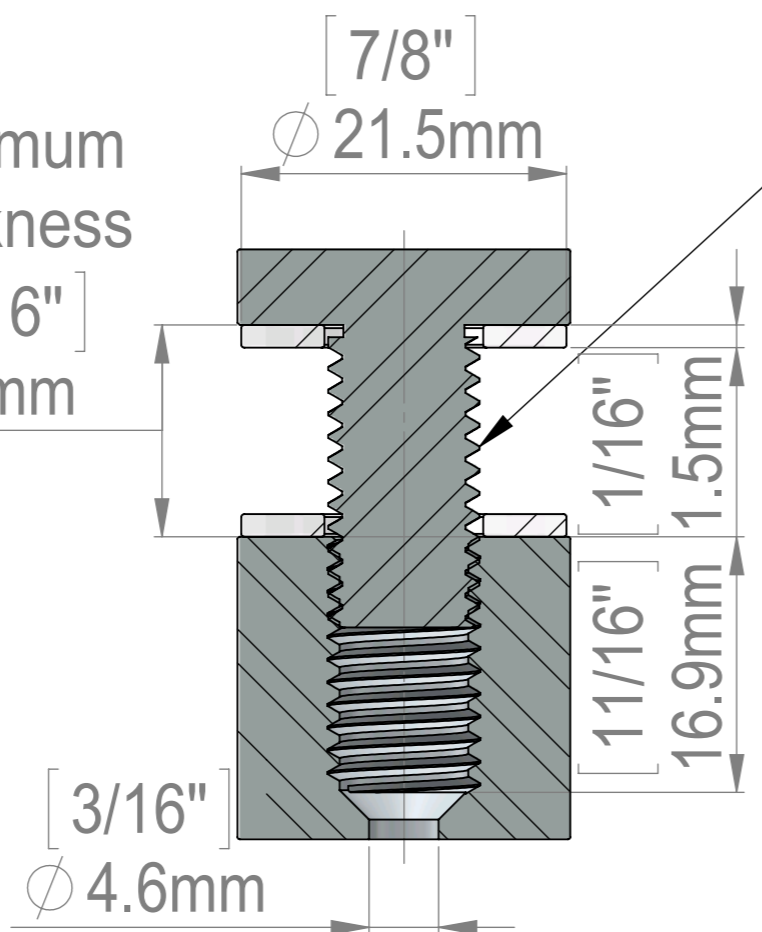
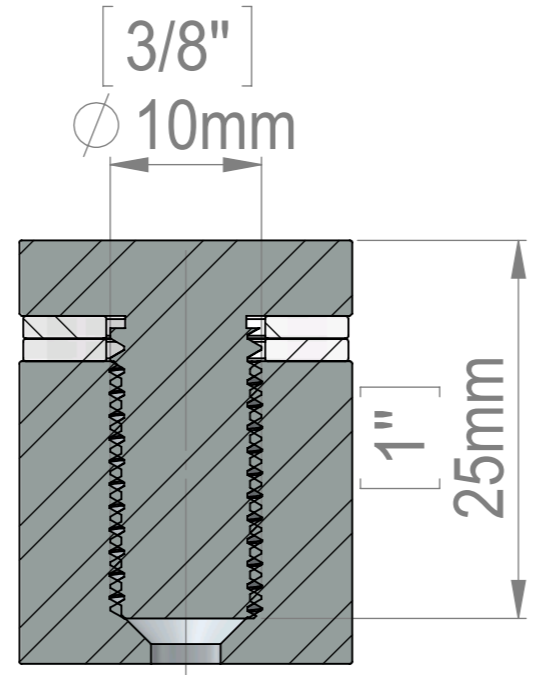
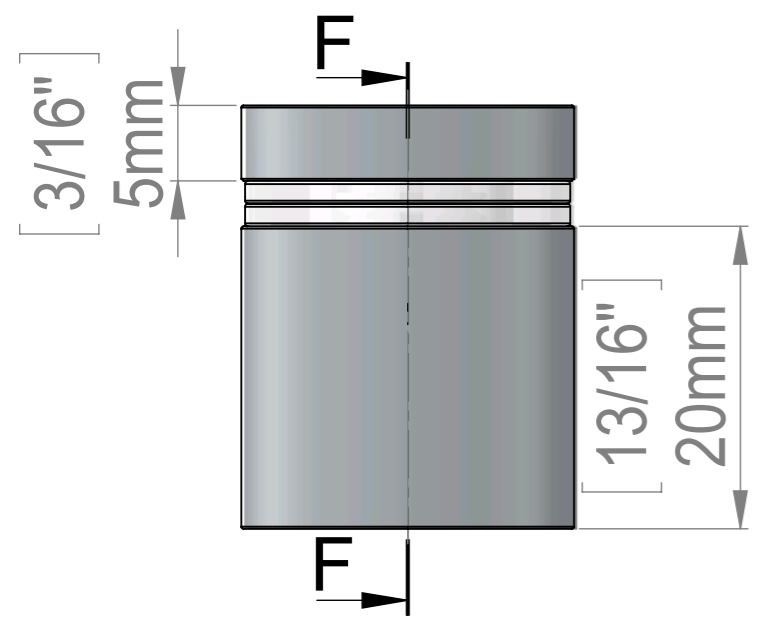
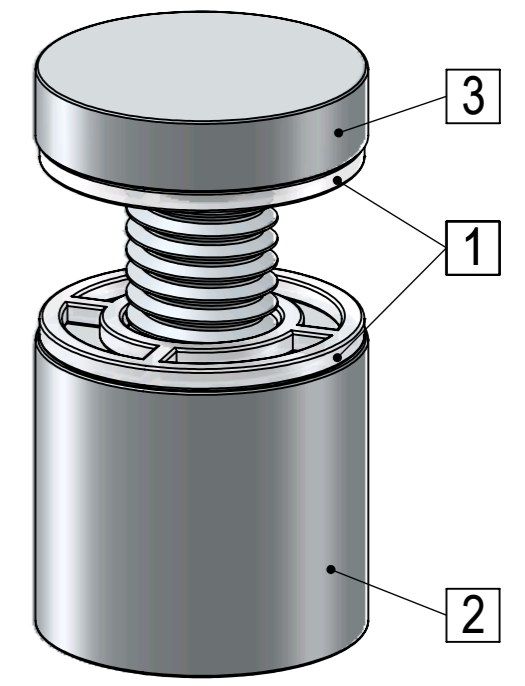


Maximum Thickness
 9/16" 14mm

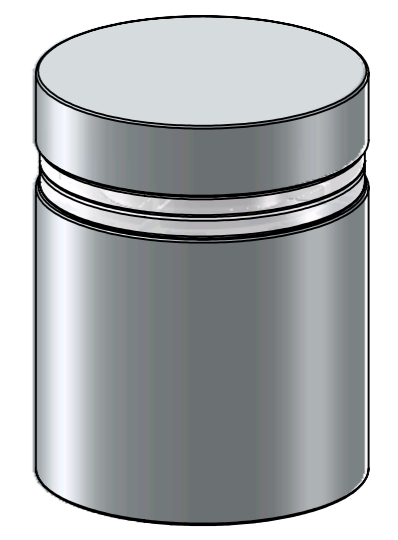


SECTION E-E
 SCALE 2 : 1
 M10 Thread

Attention
 Reverse Threaded
 For Tamper Proof Purposes



SECTION F-F
 SCALE 2 : 1



ITEM NO.	PART NUMBER	DESCRIPTION	QTY.
1	FAH22_Washer		2
2	FAH22-25_Body-22x20-Reverse_Thread		1
3	HM1117A(FHA22-25)-Reverse_Thread		1

Title : FAH22-25		Scale : 2:1		Mbs R&D	
		Sizes : Letter Landscape		Customer:	
Material:		Finish		Qty :	Rep :
N°programme laser		N°prog. Mécanum.		N° Plan : FAH22-25	

Mbs Standoffs
 6420 Benjamin Rd
 Tampa, FL 33634
 USA
 813-938-6025