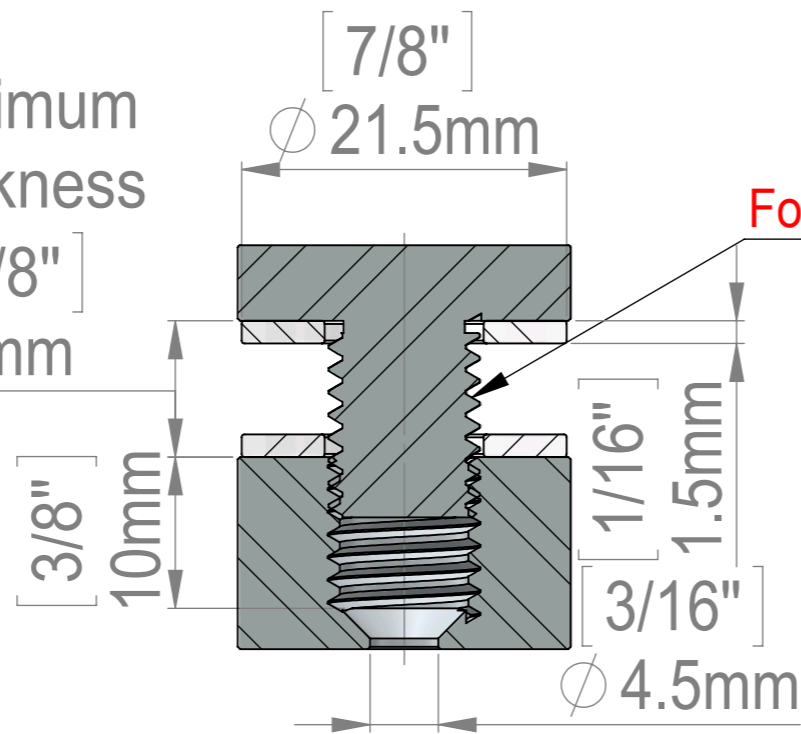
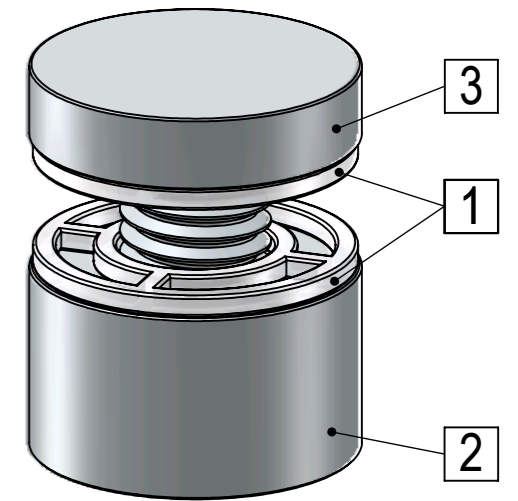


Maximum Thickness

3/8"  
9mm

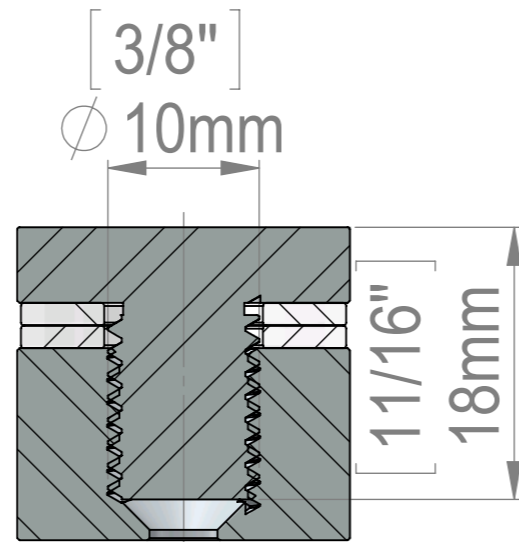
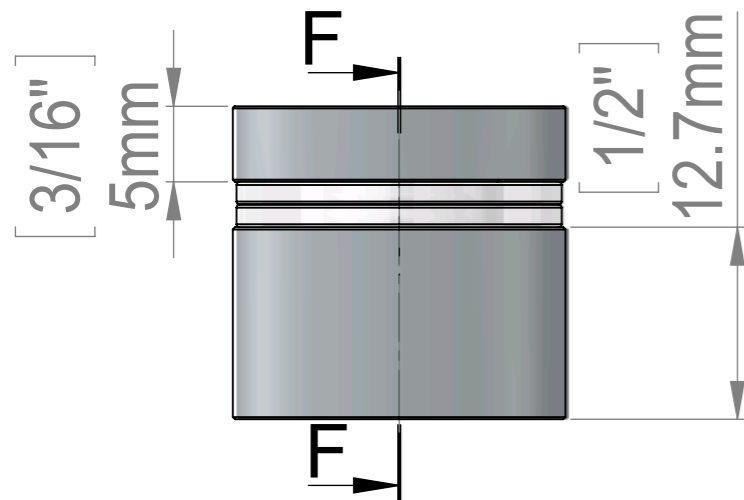


Attention  
Reverse Threaded  
For Tamper Proof Purposes



SECTION E-E  
SCALE 2 : 1

M10 Thread



SECTION F-F  
SCALE 2 : 1



ITEM NO.	PART NUMBER	DESCRIPTION	QTY.
1	FAH22_Washer		2
2	FAH22-12_Body-22x12-Reverse_Thread		1
3	HM1116A(FHA22-12)-Reverse_Thread		1

Title : FAH22-12			Scale : 2:1	Mbs R&D	
			Sizes : Letter Landscape	Customer:	
Mbs Standoffs 6420 Benjamin Rd Tampa, FL 33634 USA 813-938-6025		Material:	Finish	Qty :	Rep :
N°programme laser		N°prog. Mécanum.	N° Plan : FAH22-12		