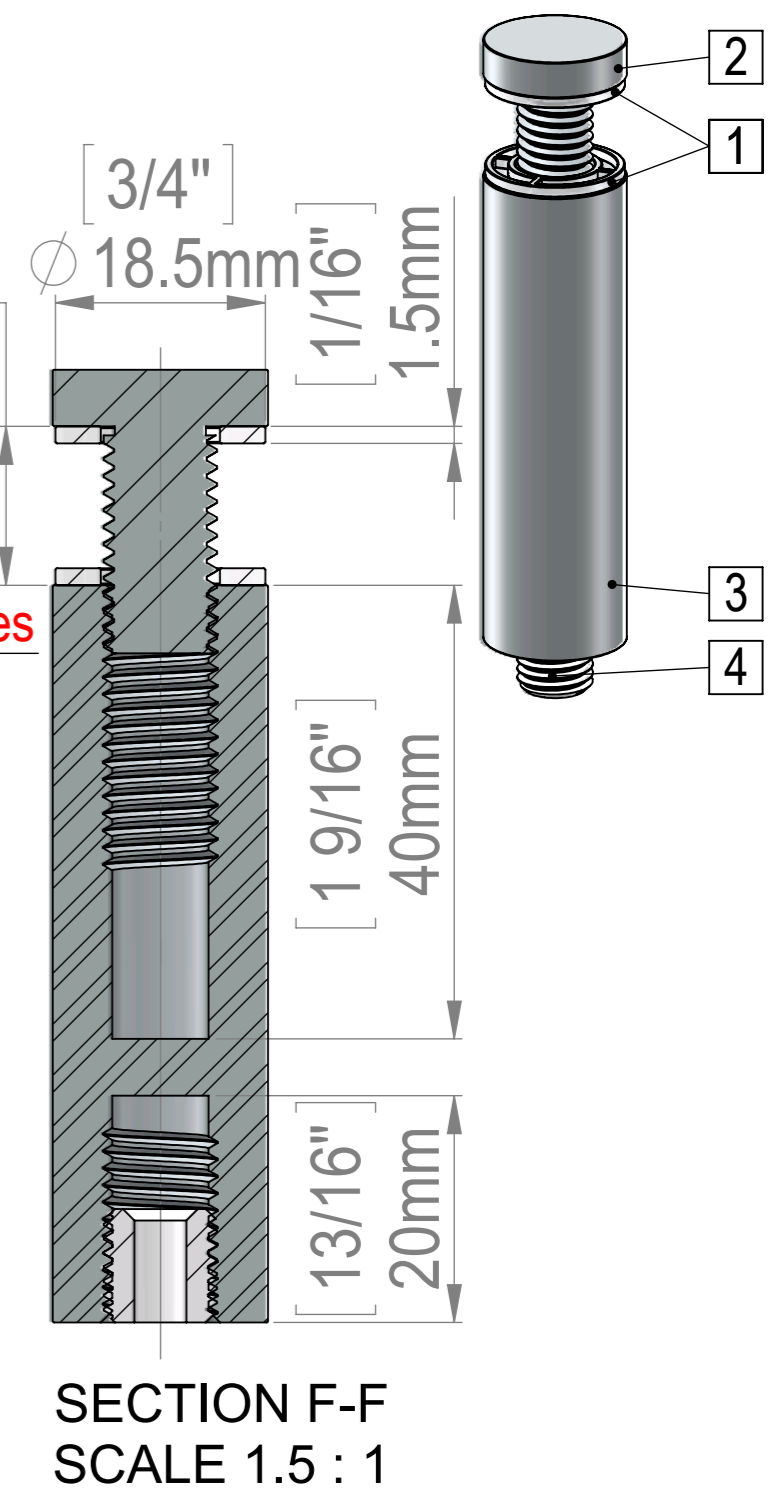


Attention
Reverse Threaded
For Tamper Proof Purposes

Maximum
Thickness
9/16"
14mm



ITEM NO.	PART NUMBER	DESCRIPTION	QTY.
1	FAH19_Washer		2
2	HM1112A(FHA19-25)-Reverse_Thread		1
3	FAH19-70_Body-19x65-Reverse_Thread		1
4	M10x10mm-Screw		1

Title : FAH19-70		Scale : 1:1		Mbs R&D	
		Sizes : Letter Landscape		Customer:	
Mbs Standoffs 6420 Benjamin Rd Tampa, FL 33634 USA 813-938-6025		Material: N°programme laser		Qty : Rep :	
		Finish N°prog. Mécanum.		N° Plan : FAH19-70	