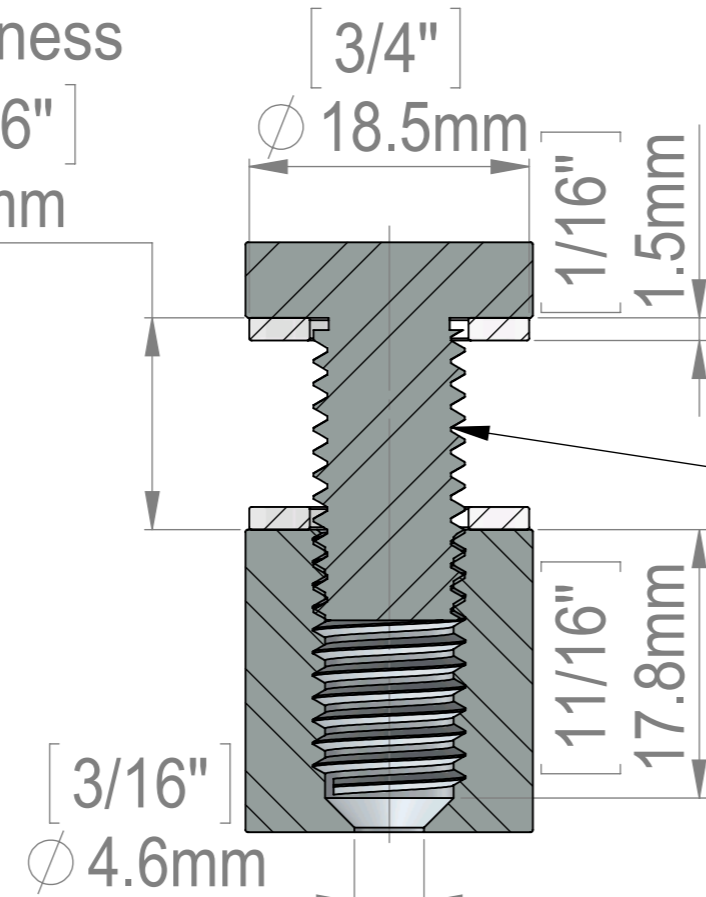
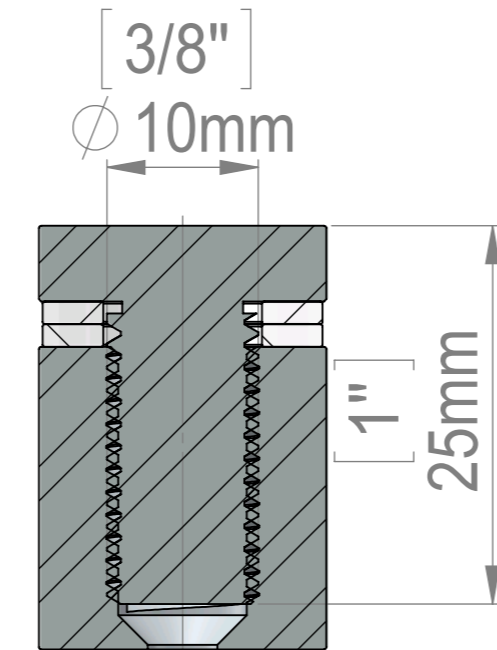
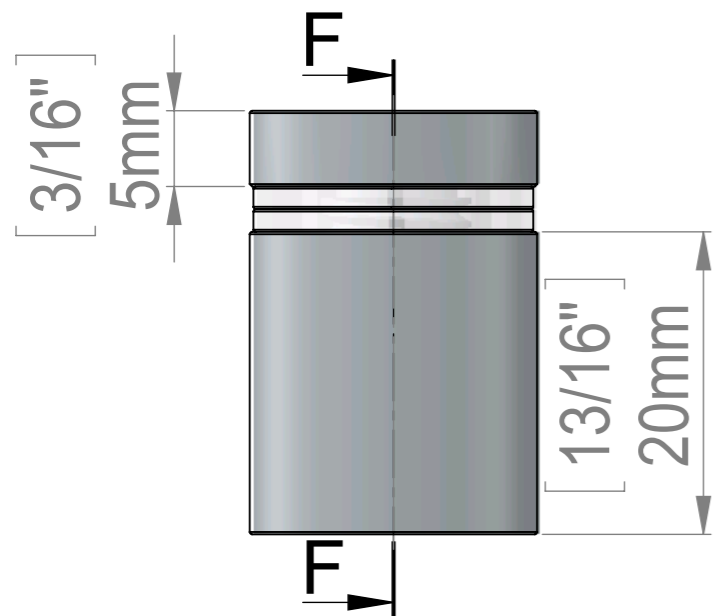
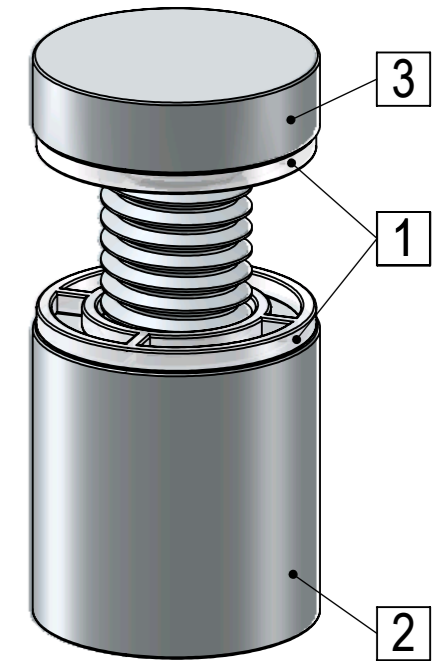


Maximum Thickness  
 [9/16"]  
 14mm



SECTION E-E  
 SCALE 2 : 1  
 M10 Thread

Attention  
 Reverse Threaded  
 For Tamper Proof Perposes



SECTION F-F  
 SCALE 2 : 1



ITEM NO.	PART NUMBER	DESCRIPTION	QTY.
1	FAH19_Washer		2
2	FAH19-25_Body-19x20-Reverse_Thread		1
3	HM1112A(FHA19-25)-Reverse_Thread		1

Title : FAH19-25		Scale : 2:1	Mbs R&D	
		Sizes : Letter Landscape	Customer:	
Material:		Finish	Qty :	Rep :
Mbs Standoffs 6420 Benjamin Rd Tampa, FL 33634 USA 813-938-6025		N°programme laser	N°prog. Mécanum. N° Plan : FAH19-25	