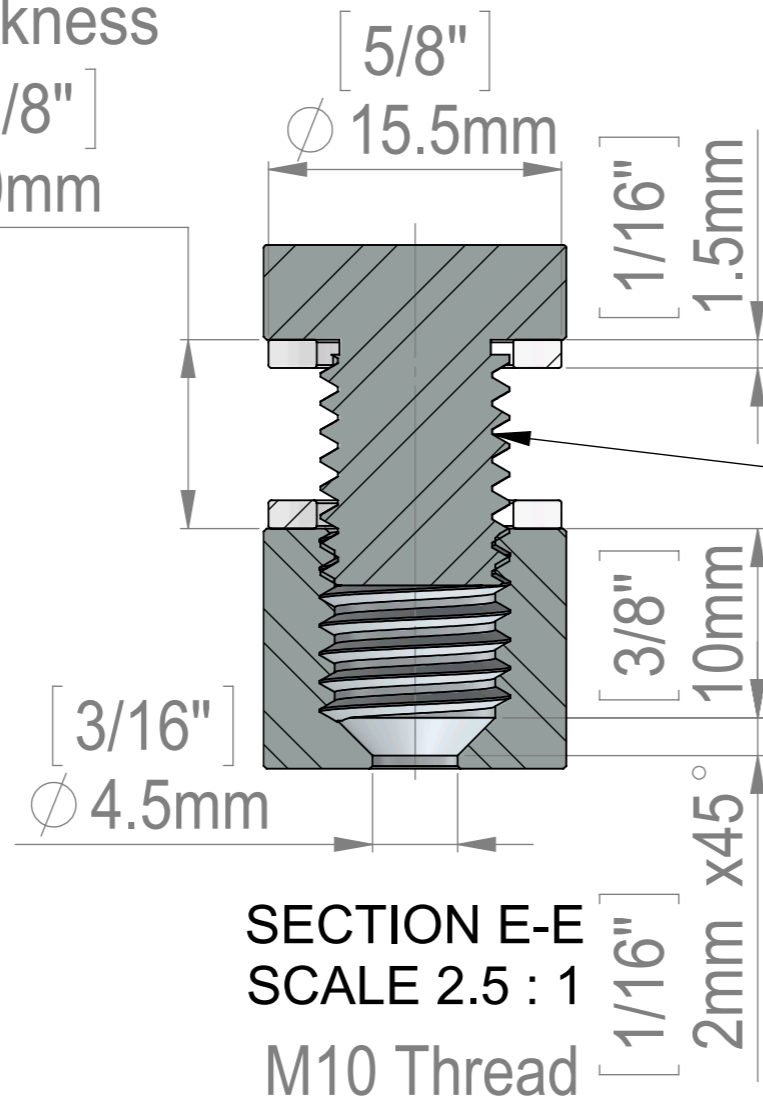
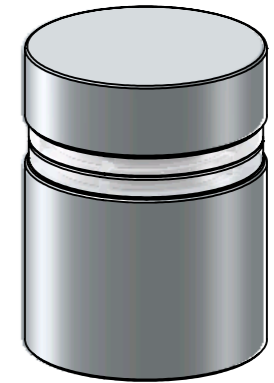
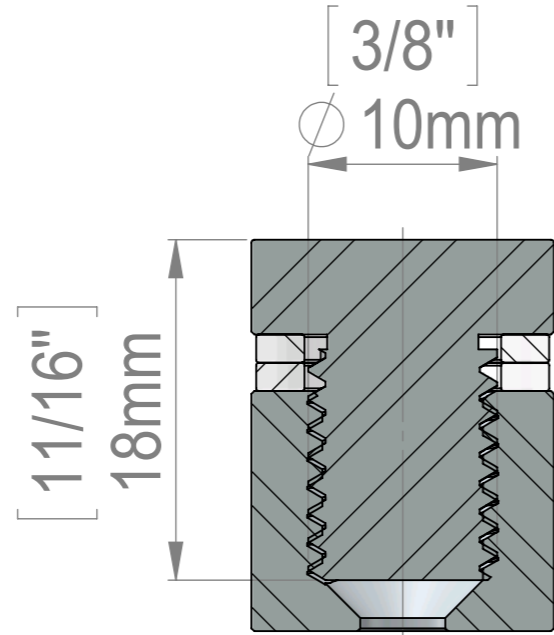
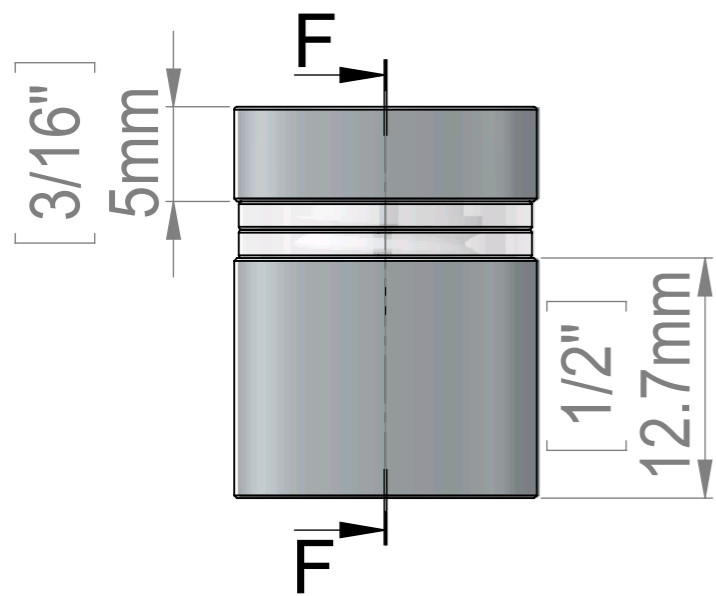
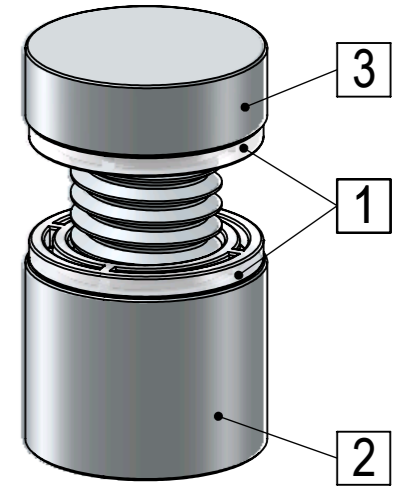


Maximum Thickness
3/8" 10mm



Attention
Reverse Threaded
For Tamper Proof Purposes



ITEM NO.	PART NUMBER	DESCRIPTION	QTY.
1	FAH16_Washer		2
2	FAH16-12_Body-16x12-Reverse_Thread		1
3	HM1106A(FHA16-12)-Reverse_Thread		1

Title : FAH16-12		Scale : 2:1		Mbs R&D	
		Sizes : Letter Landscape		Customer:	
Material:		Finish		Qty :	Rep :
N°programme laser		N°prog. Mécanum.		N° Plan : FAH16-12	

Mbs Standoffs
6420 Benjamin Rd
Tampa, FL 33634
USA
813-938-6025