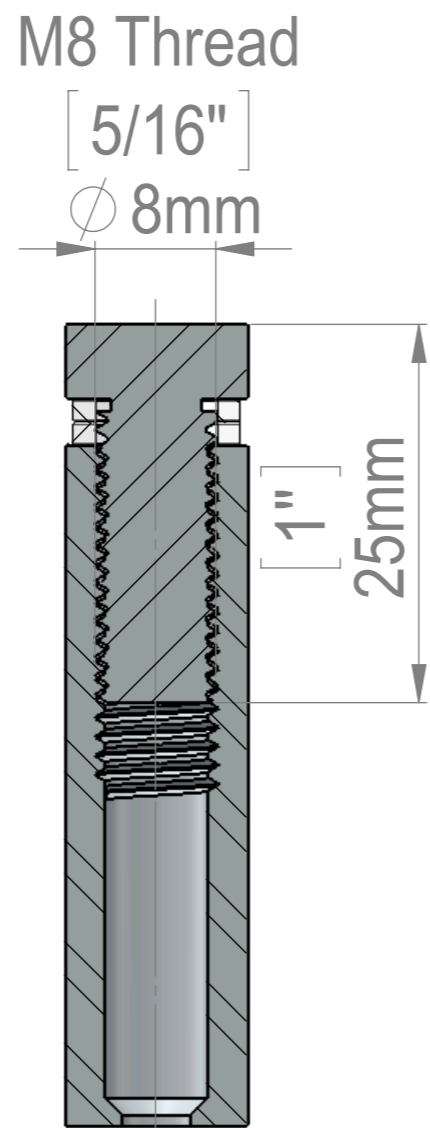


Attention
Reverse Threaded
For Tamper Proof Purposes

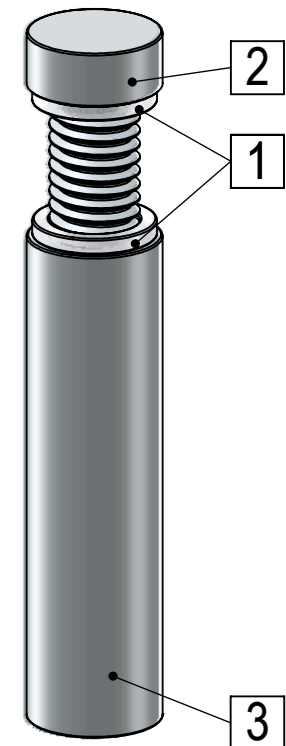


SECTION F-F
SCALE 2 : 1



SECTION E-E
SCALE 2 : 1

Maximum
Thickness
9/16" 14mm



ITEM NO.	PART NUMBER	DESCRIPTION	QTY.
1	FAH12_Washer		2
2	HM1102A(FHA12-25)-Reverse_Thread		1
3	FAH12-50_Body-12x45-Reverse_Thread		1

Title : FAH12-50		Scale : 1.5:1		Mbs R&D	
		Sizes : Letter Landscape		Customer:	
Material:		Finish		Qty :	Rep :
N°programme laser		N°prog. Mécanum.		N° Plan : FAH12-50	

Mbs Standoffs
6420 Benjamin Rd
Tampa, FL 33634
USA
813-938-6025