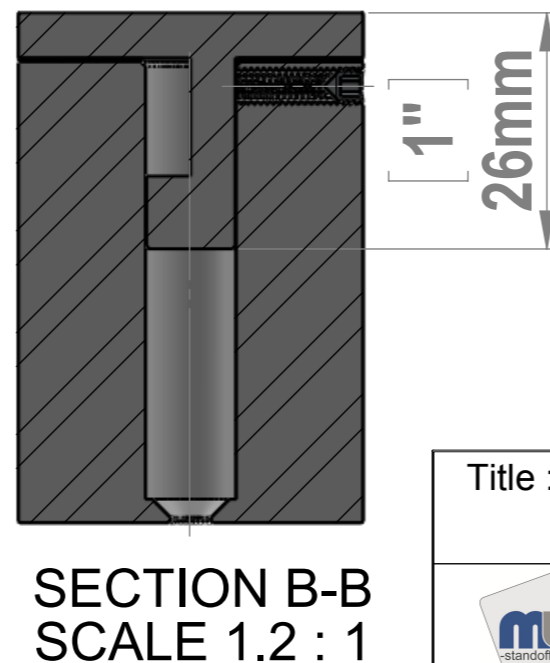
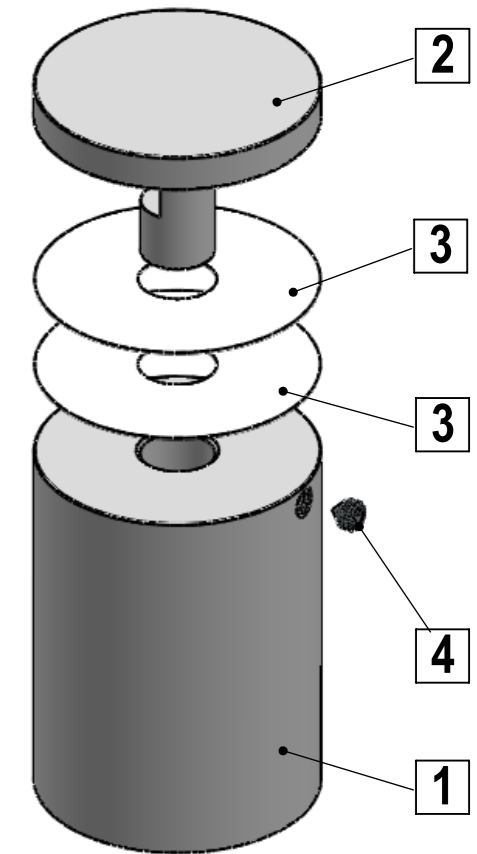
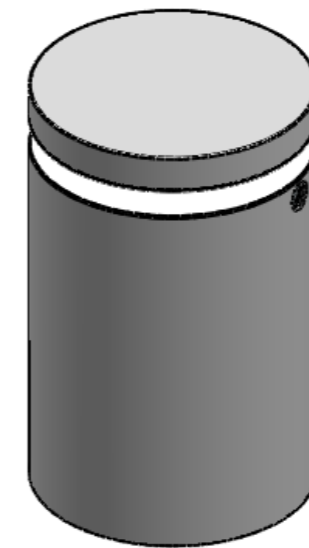


SECTION A-A
SCALE 1.2 : 1



SECTION B-B
SCALE 1.2 : 1



ITEM NO.	PART NUMBER	DESCRIPTION	QTY.
1	EG150-200_Body		1
2	EG150-100_Head		1
3	EG150_Nylon-Washer		2
4	Set_Screw_M4x4mm		1

Title : EG150-200			Scale : 1:1	Mbs R&D	
			Sizes : Letter Landscape	Customer:	
 Mbs Standoffs 6420 Benjamin Rd Tampa, FL 33634 USA 813-938-6025	Material:	Finish	Qty :	Rep :	
	N°programme laser	N°prog. Mécanum.	N° Plan : EG150-200		