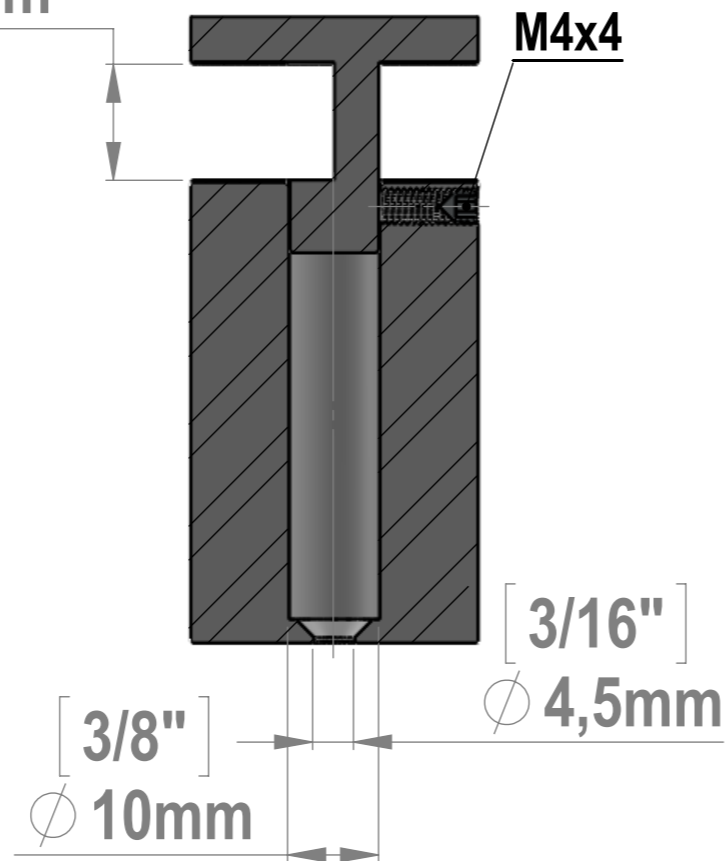
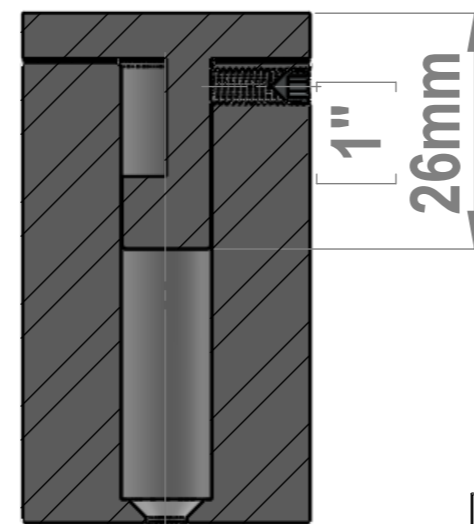
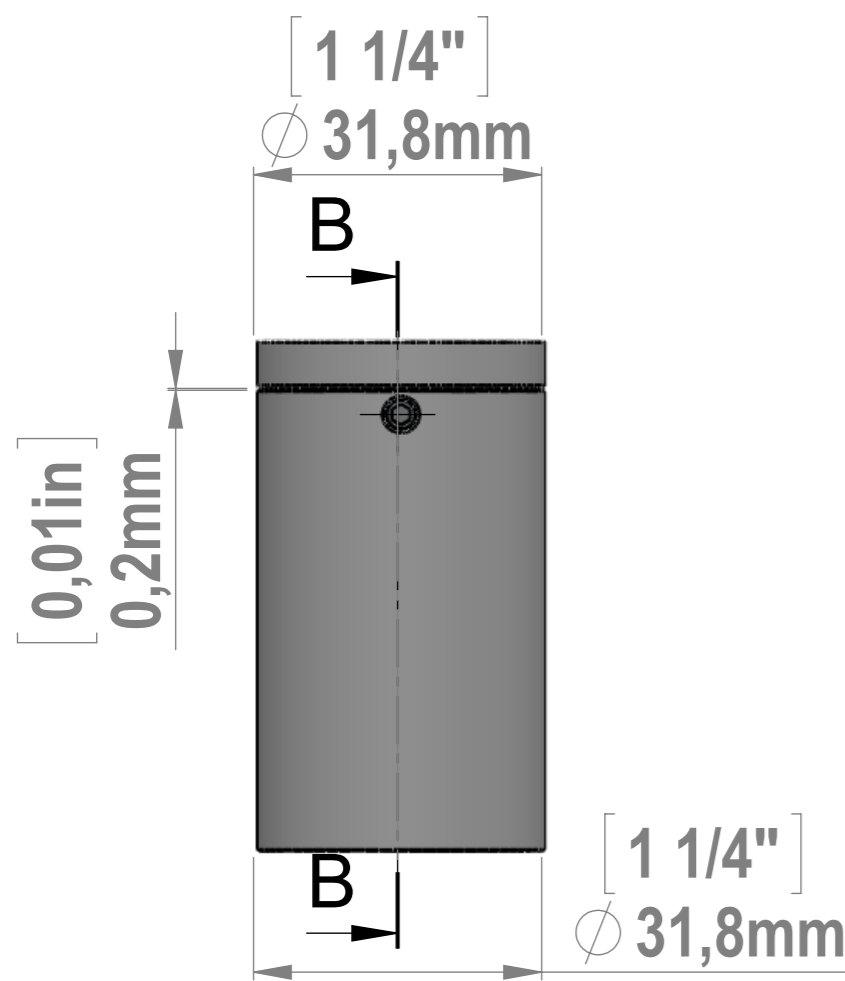


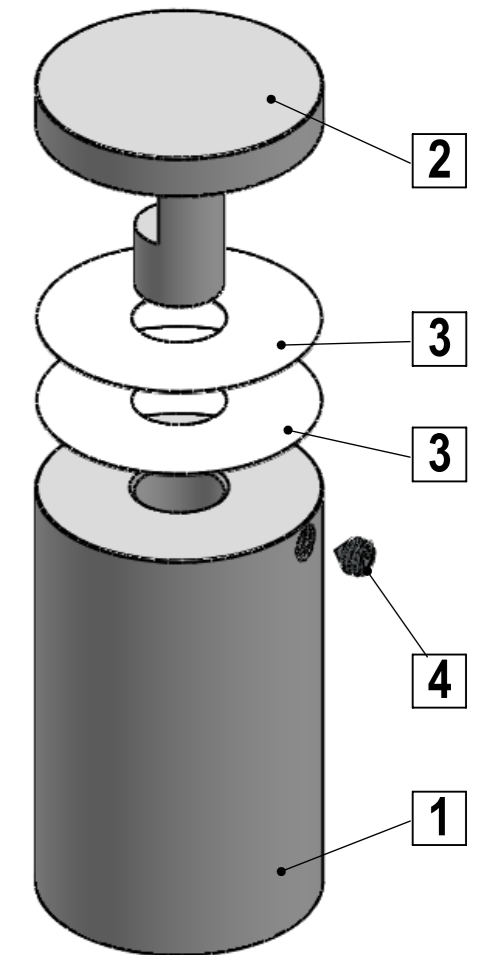
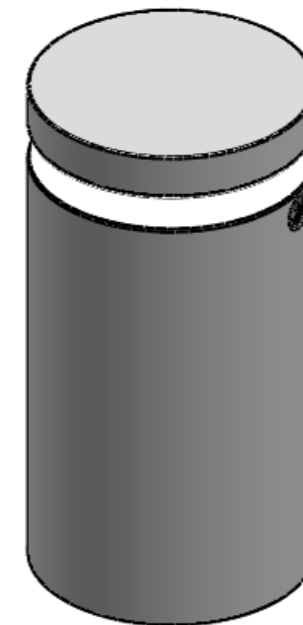
Maximum
Thickness
1/2"
12,8mm



SECTION A-A
SCALE 1.2 : 1



SECTION B-B
SCALE 1.2 : 1



ITEM NO.	PART NUMBER	DESCRIPTION	QTY.
1	EG125-200_Body		1
2	EG125-100_Head		1
3	EG125_Nylon-Washer		2
4	Set_Screw_M4x4mm		1

Title : EG125-200			Scale : 1.2:1	Mbs R&D	
			Sizes : Letter Landscape	Customer:	
Mbs Standoffs 6420 Benjamin Rd Tampa, FL 33634 USA 813-938-6025		Material:	Finish	Qty :	Rep :
N°programme laser		N°prog. Mécanum.	N° Plan : EG125-200		