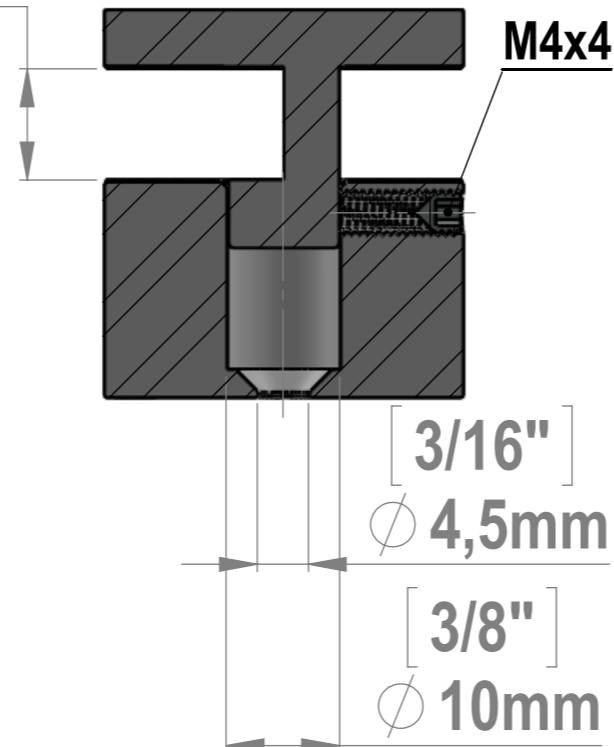
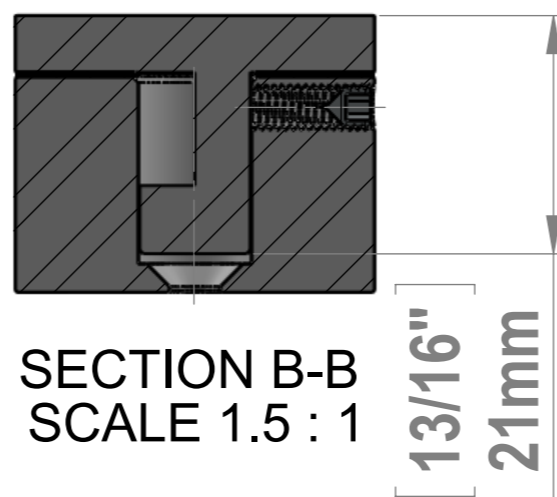


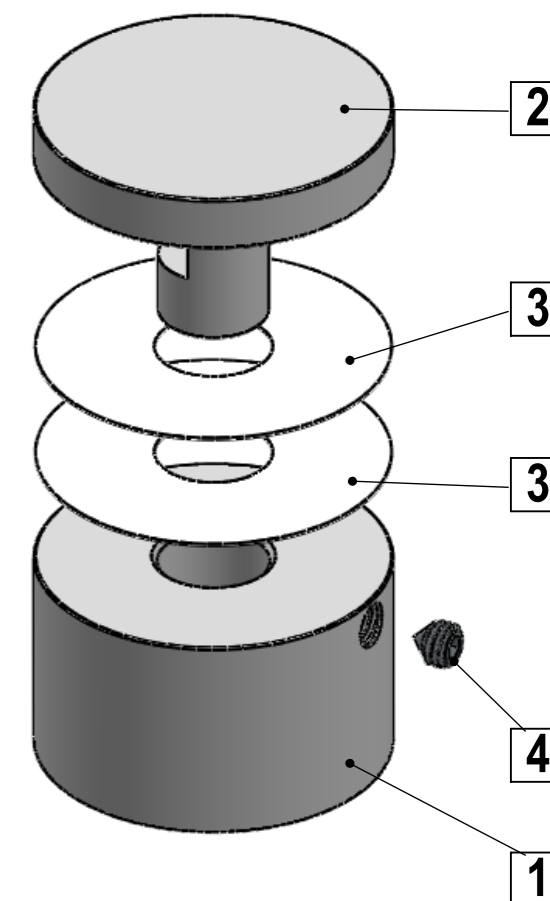
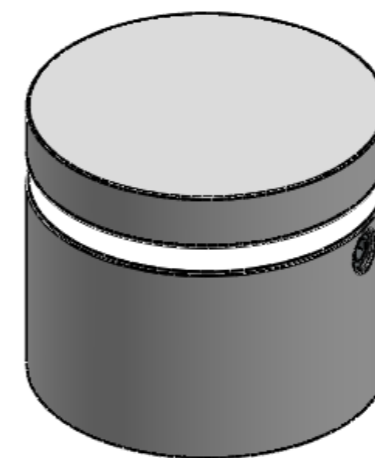
Maximum Thickness  
3/8"  
9,8mm



SECTION A-A  
SCALE 1.5 : 1



SECTION B-B  
SCALE 1.5 : 1



ITEM NO.	PART NUMBER	DESCRIPTION	QTY.
1	EG125-075_Body		1
2	E125-075_Head		1
3	EG125_Nylon-Washer		2
4	Set_Screw_M4x4mm		1

Title : EG125-075			Scale : 1.5:1	Mbs R&D	
			Sizes : Letter Landscape	Customer:	
	Mbs Standoffs 6420 Benjamin Rd Tampa, FL 33634 USA 813-938-6025	Material:	Finish	Qty :	Rep :
	N°programme laser	N°prog. Mécanum.	N° Plan : EG125-075		