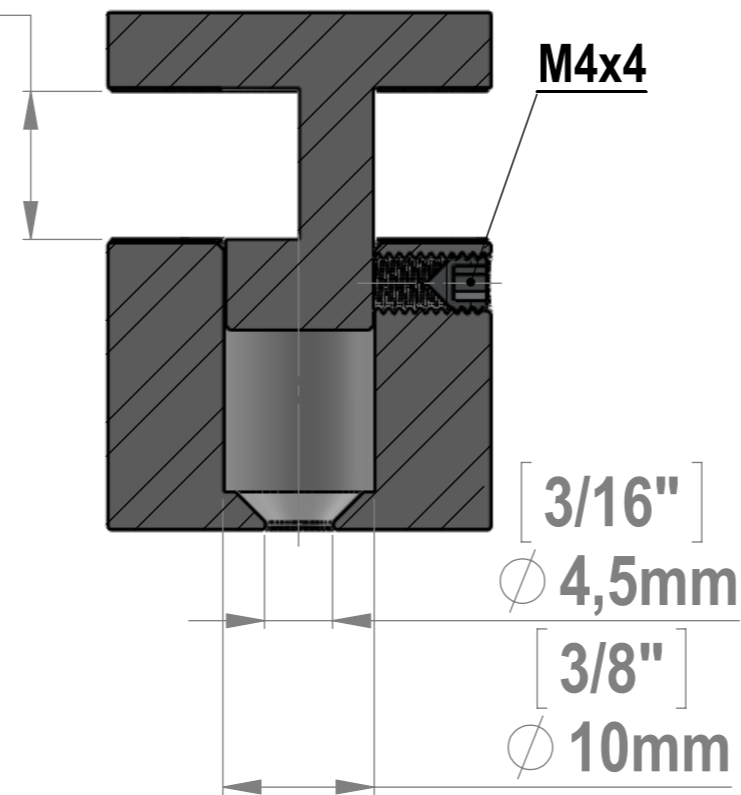
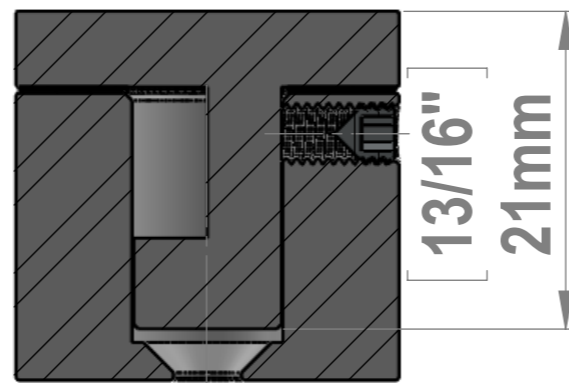


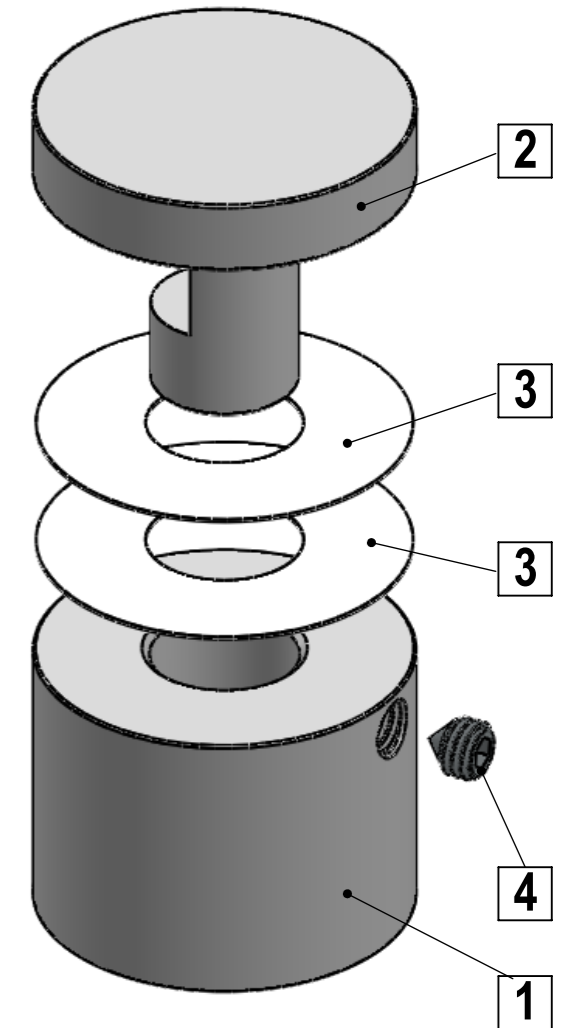
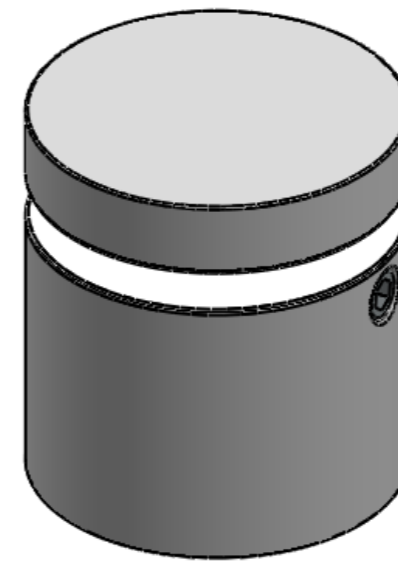
Maximum Thickness
 $\left[\frac{3}{8} \right]$
 9,8mm



SECTION A-A
 SCALE 2 : 1



SECTION B-B
 SCALE 2 : 1



ITEM NO.	PART NUMBER	DESCRIPTION	QTY.
1	EG100-075_Body		1
2	E100-075_Head		1
3	EG100_Nylon-Washer		2
4	Set_Screw_M4x4mm		1

Title : EG100-075			Scale : 2:1	Mbs R&D	
			Sizes : Letter Landscape	Customer:	
	Mbs Standoffs 6420 Benjamin Rd Tampa, FL 33634 USA 813-938-6025	Material:	Finish	Qty :	Rep :
		N°programme laser	N°prog. Mécanum.	N° Plan : EG100-075	