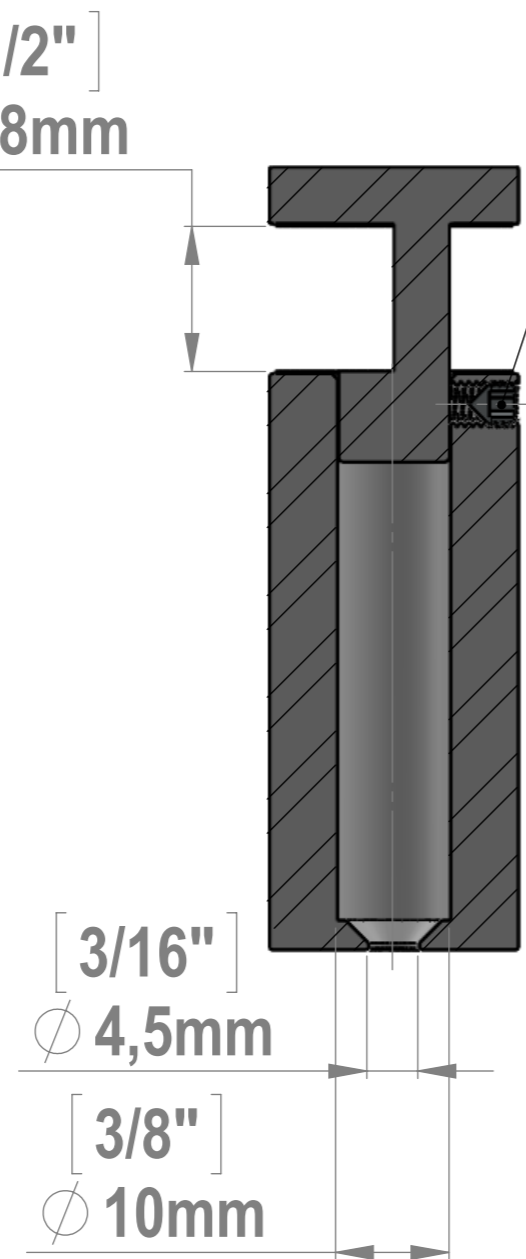
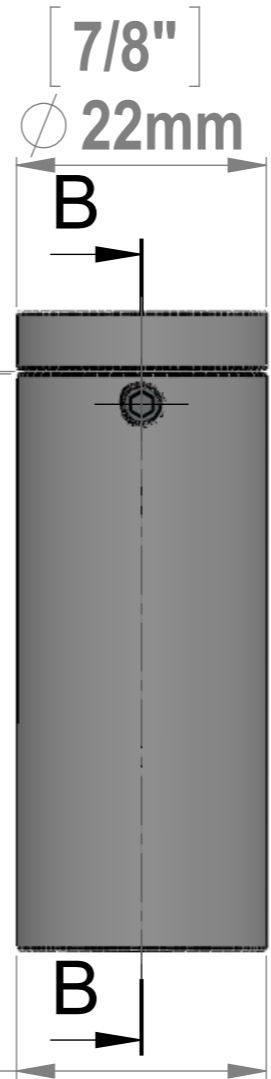


Maximum Thickness

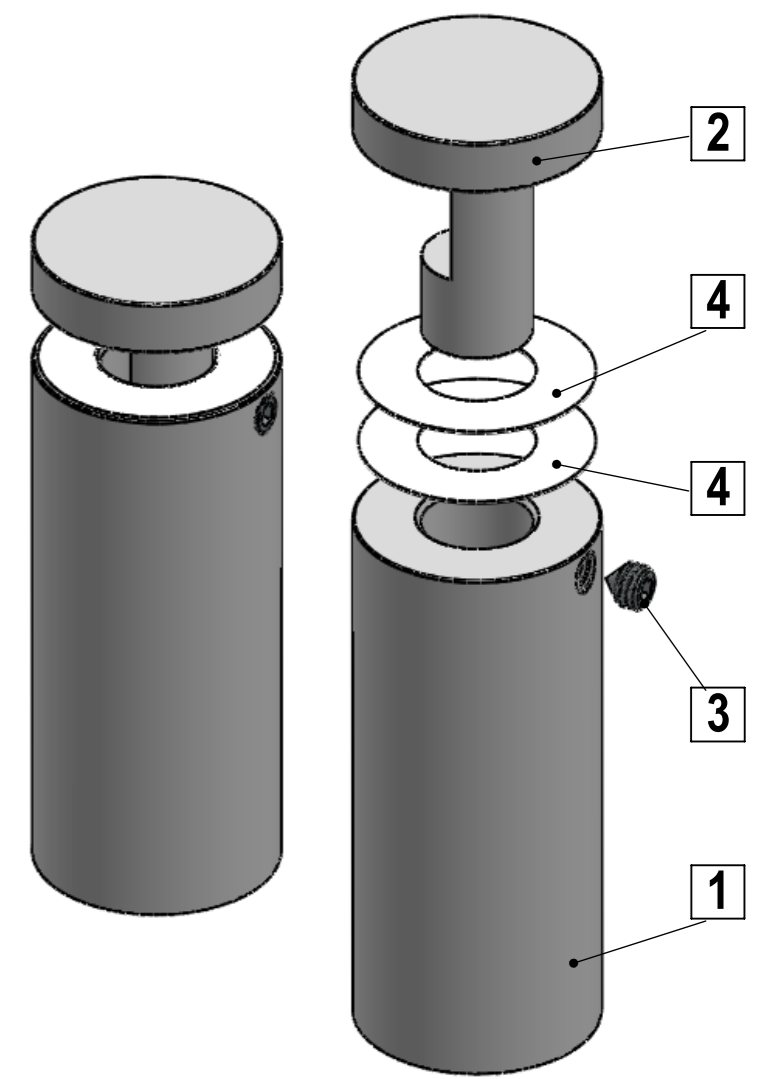
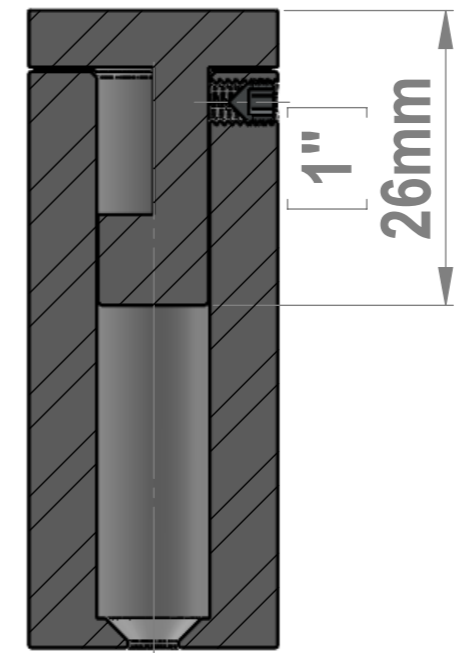
1/2" 12,8mm



SECTION A-A  
SCALE 1.5 : 1



SECTION B-B  
SCALE 1.5 : 1



ITEM NO.	PART NUMBER	DESCRIPTION	QTY.
1	EG087-200_Body		1
2	EG087-100_Head		1
3	Set_Screw_M4x4mm		2
4	EG087_Nylon-Washer		2

Title : EG087-200		Scale : 1.5:1		Mbs R&D	
		Sizes : Letter Landscape		Customer:	
Mbs Standoffs 6420 Benjamin Rd Tampa, FL 33634 USA 813-938-6025		Material:		Qty :      Rep :	
N°programme laser		N°prog. Mécanum.		N° Plan : EG087-200	