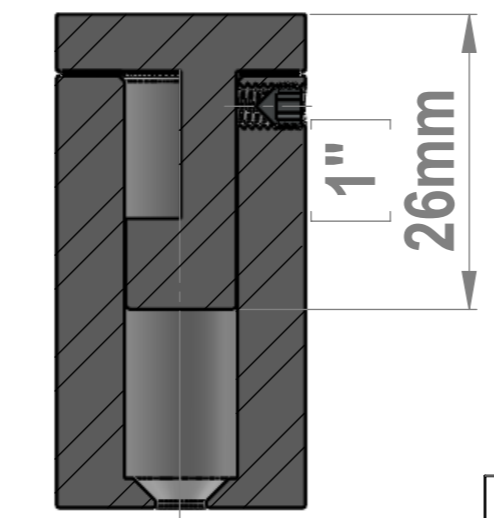
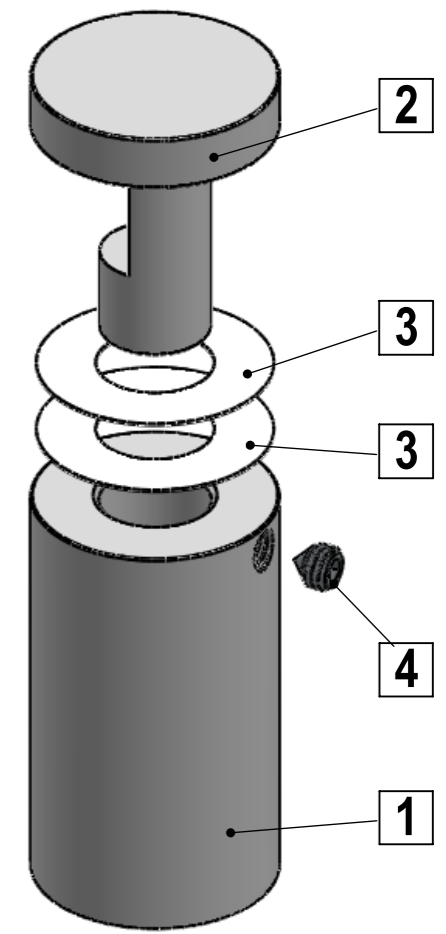
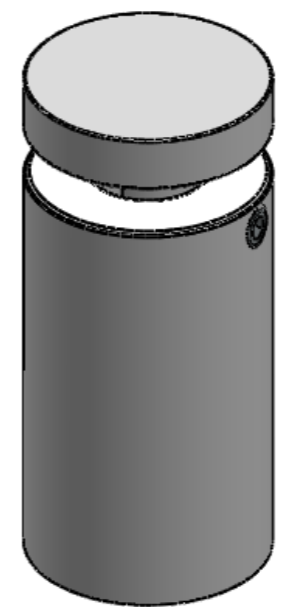


SECTION A-A  
SCALE 1.5 : 1



SECTION B-B  
SCALE 1.5 : 1



ITEM NO.	PART NUMBER	DESCRIPTION	QTY.
1	EG087-150_Body		1
2	EG087-100_Head		1
3	EG087_Nylon-Washer		2
4	Set_Screw_M4x4mm		1

Title : EG087-150		Scale : 1.5:1		Mbs R&D	
		Sizes : Letter Landscape		Customer:	
Material:		Finish		Qty :	Rep :
N°programme laser		N°prog. Mécanum.		N° Plan : EG087-150	



Mbs Standoffs  
 6420 Benjamin Rd  
 Tampa, FL 33634  
 USA  
 813-938-6025