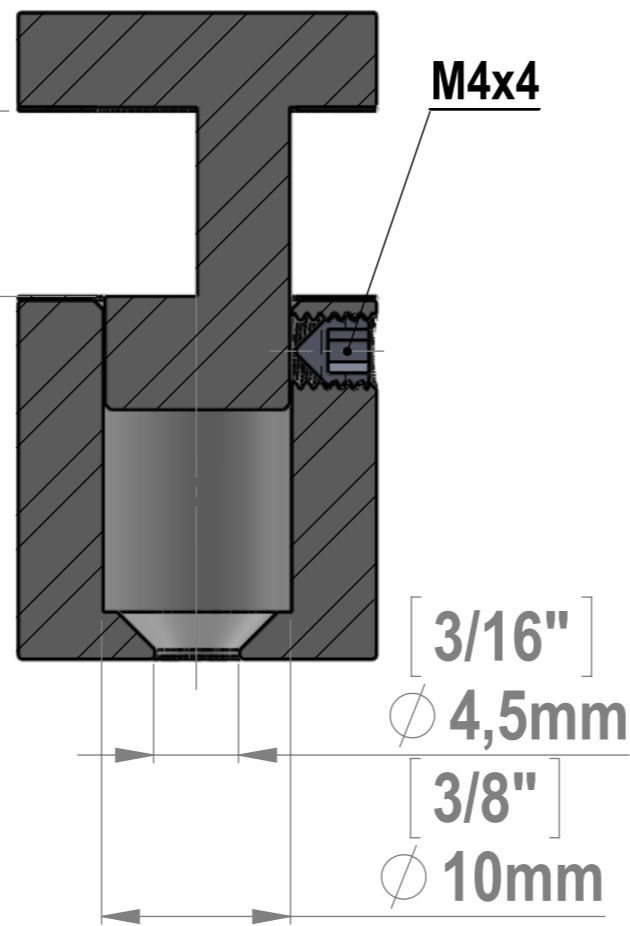
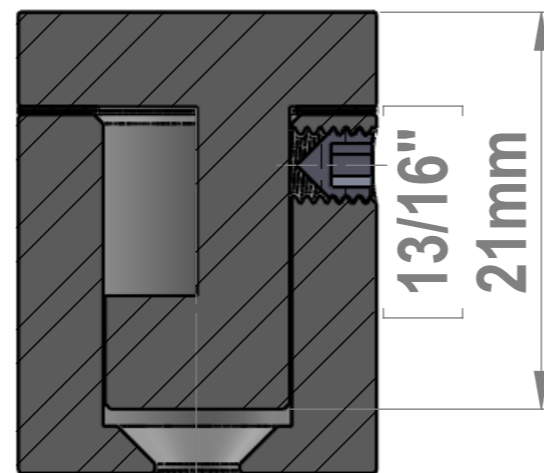


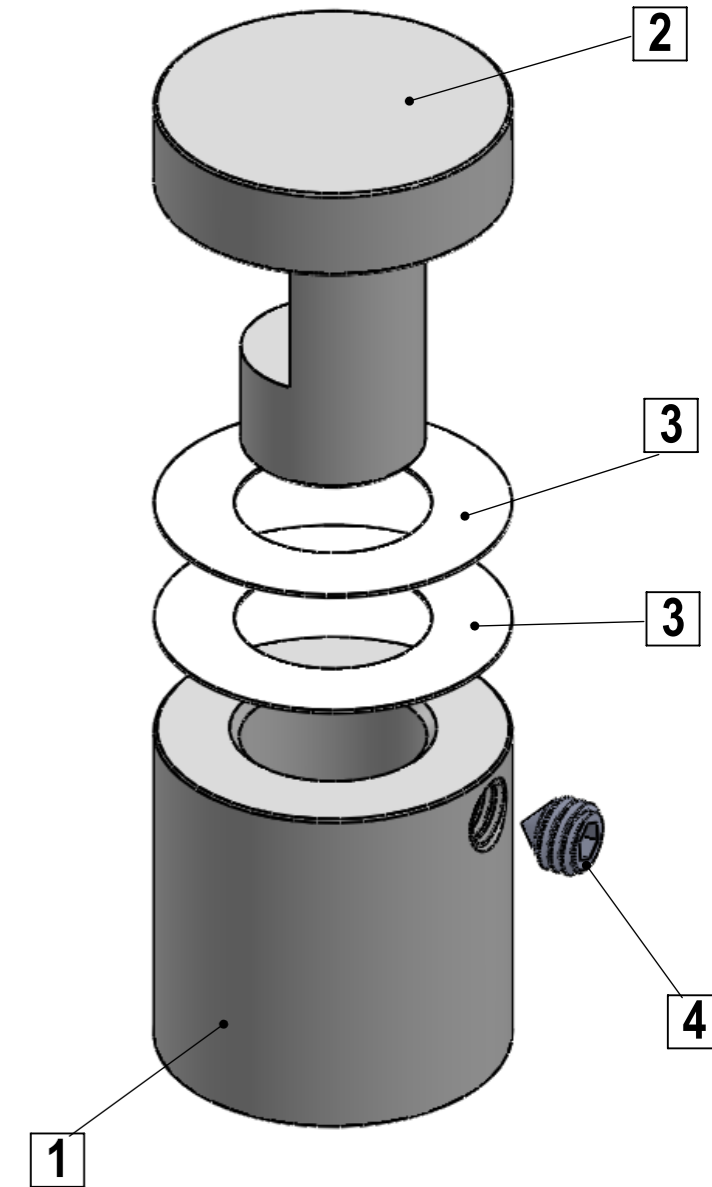
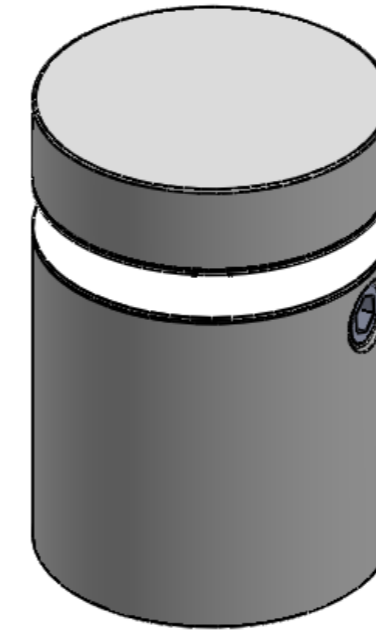
Maximum Thickness  
 $\left[ \frac{3}{8}'' \right]$   
 9,8mm




SECTION A-A  
 SCALE 2.5 : 1



SECTION B-B  
 SCALE 2.5 : 1



ITEM NO.	PART NUMBER	DESCRIPTION	QTY.
1	EG075-075_Body		1
2	EG075-075_Head		1
3	EG075_Nylon-Washer		2
4	Set_Screw_M4x4mm		1

Title : EG075-075		Scale : 2.5:1		Mbs R&D	
		Sizes : Letter Landscape		Customer:	
Mbs Standoffs 6420 Benjamin Rd Tampa, FL 33634 USA 813-938-6025		Material:		Qty :	Rep :
		N°programme laser		N°prog. Mécanum.	
				N° Plan : EG075-075	