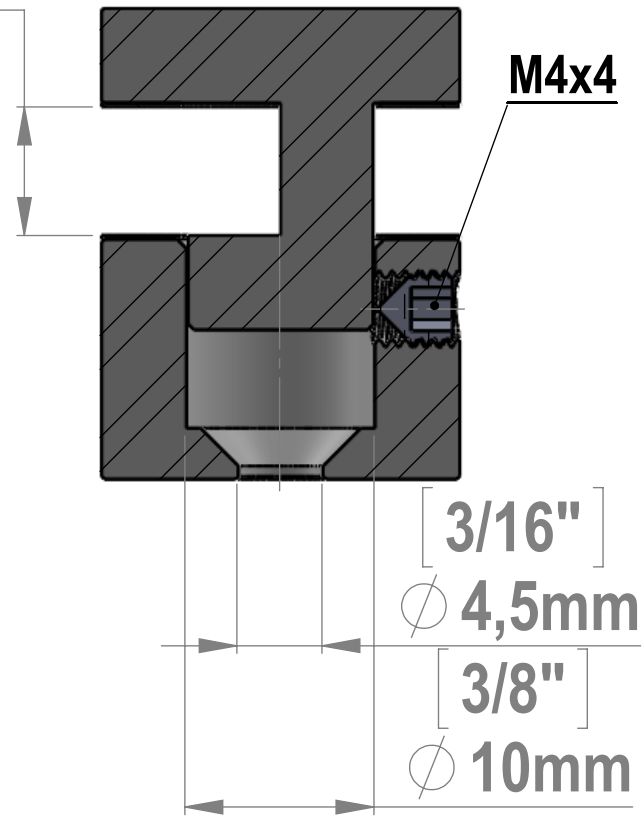


Maximum Thickness

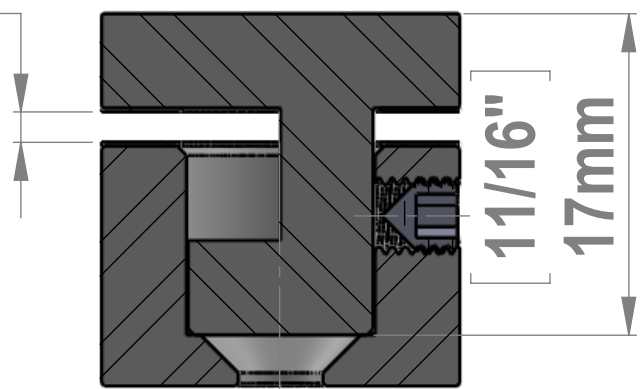
1/4" 6,8mm



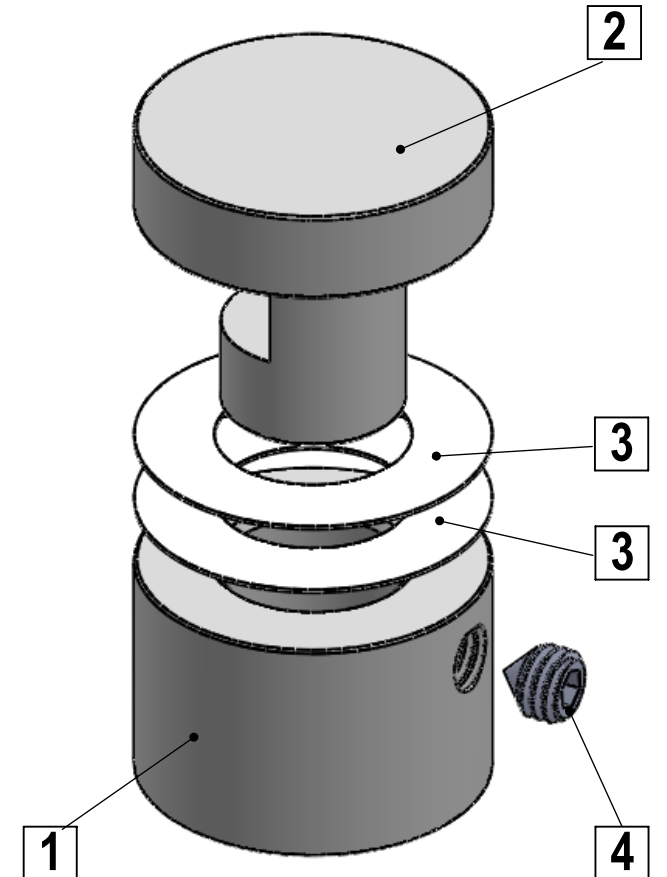
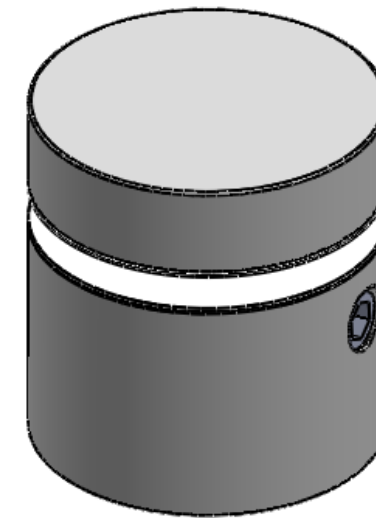
SECTION A-A  
SCALE 2.5 : 1

Minimum Thickness

1/16" 1,6mm



SECTION B-B  
SCALE 2.5 : 1



ITEM NO.	PART NUMBER	DESCRIPTION	QTY.
1	EG075-050_Body		1
2	EG075-050_Head		1
3	EG075_Nylon-Washer		2
4	Set_Screw_M4x4mm		1

Title : EG075-050		Scale : 2.5:1		Mbs R&D	
		Sizes : Letter Landscape		Customer:	
Material:		Finish		Qty :	Rep :
N°programme laser		N°prog. Mécanum.		N° Plan : EG075-050	