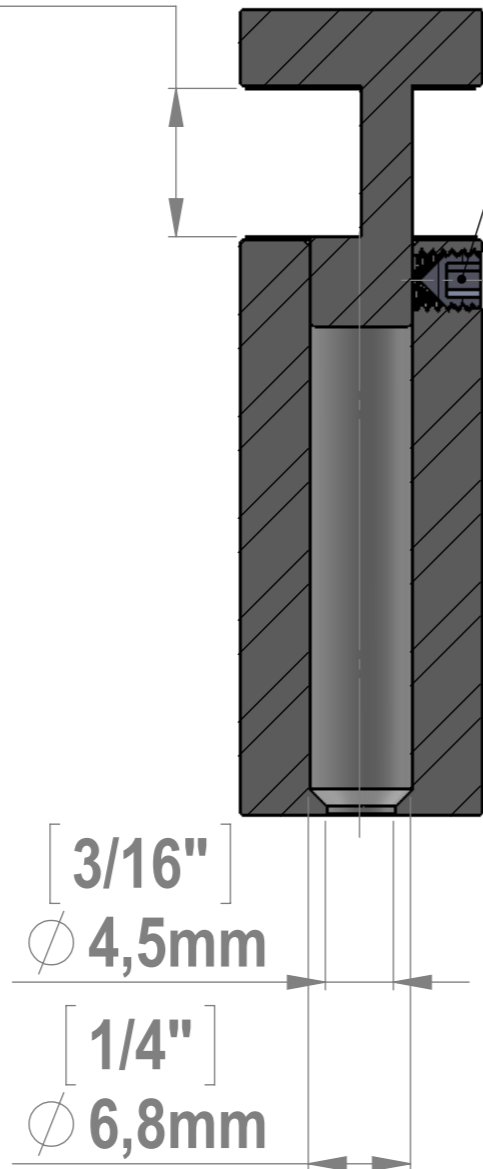
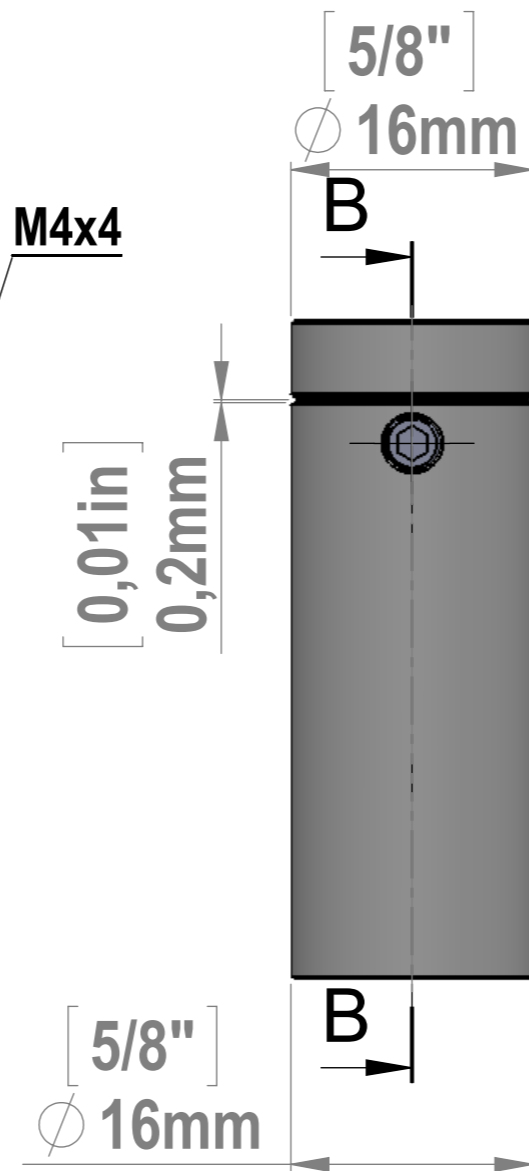


Maximum thickness

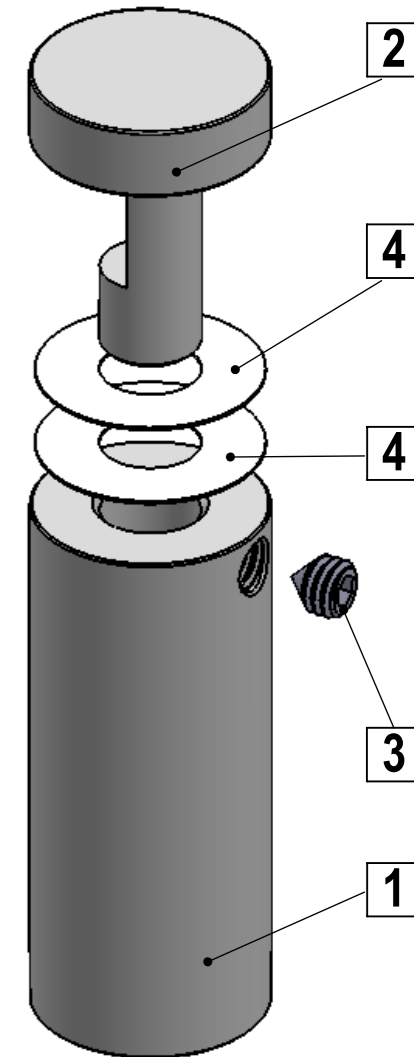
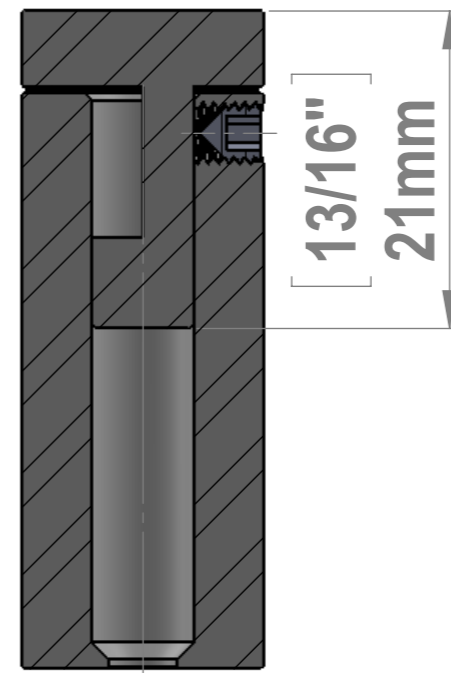
3/8" 9,8mm



SECTION A-A
SCALE 2 : 1



SECTION B-B
SCALE 2 : 1



ITEM NO.	PART NUMBER	DESCRIPTION	QTY.
1	EG058-150_Body		1
2	EG058-075_Head		1
3	Set_Screw_M4x4mm		1
4	EG058_Nylon-Washer		2

Title : EG058-150		Scale : 2:1		Mbs R&D	
		Sizes : Letter Landscape		Customer:	
Mbs Standoffs 6420 Benjamin Rd Tampa, FL 33634 USA 813-938-6025		Material:		Qty : Rep :	
N°programme laser		N°prog. Mécanum.		N° Plan : RG058-150	