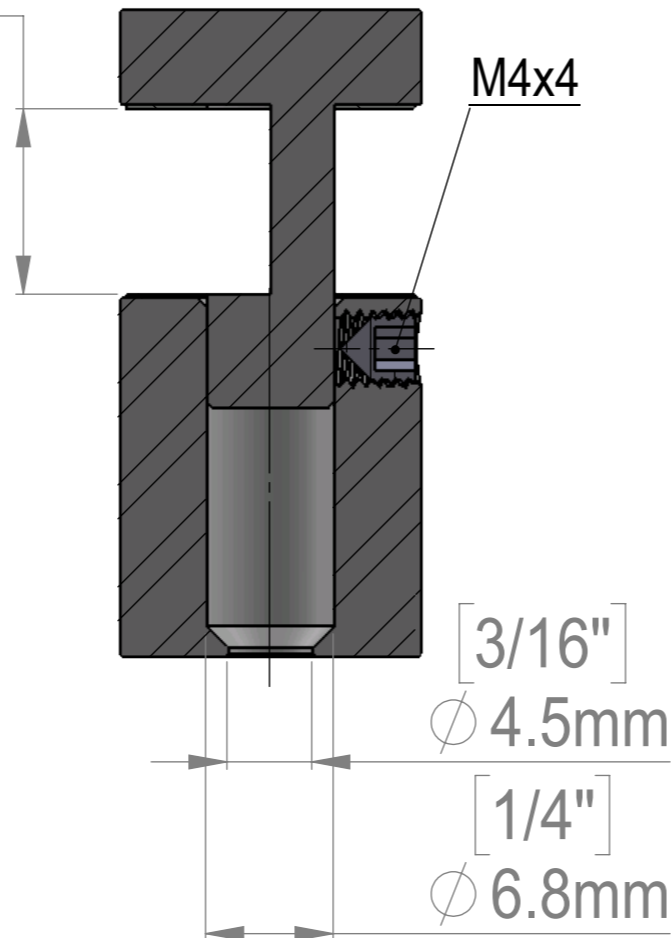
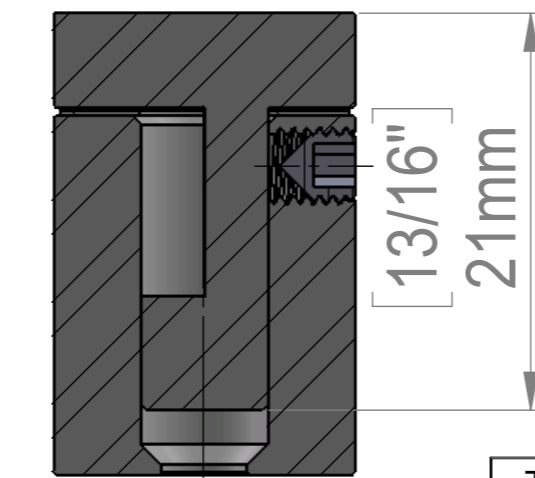


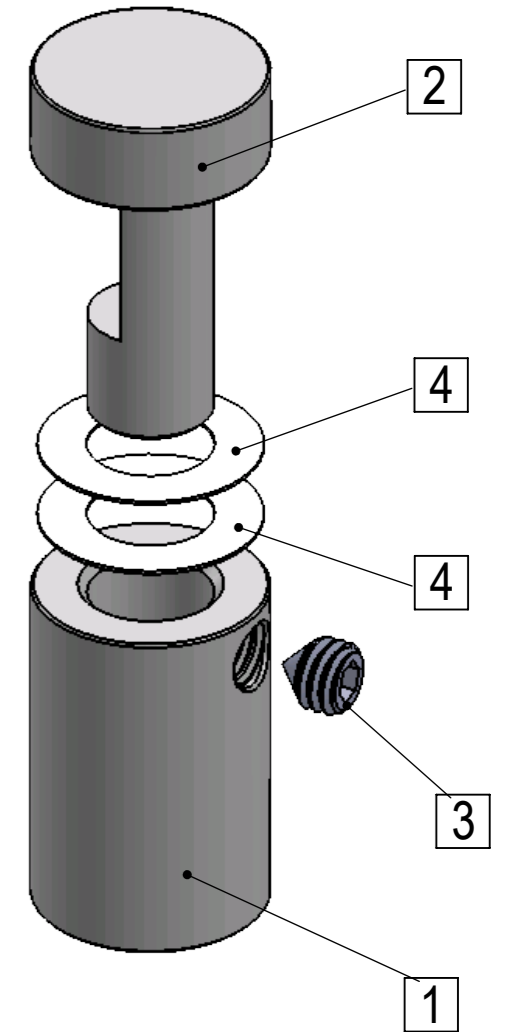
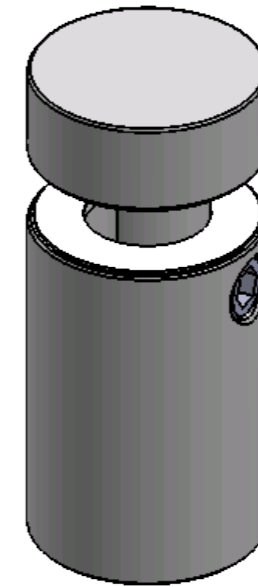
Maximum
Thickness
3/8"
9.8mm



SECTION A-A
SCALE 2.5 : 1



SECTION B-B
SCALE 2.5 : 1



ITEM NO.	PART NUMBER	DESCRIPTION	QTY.
1	EG058-075_Body		1
2	EG058-075_Head		1
3	Set_Screw_M4x4mm		1
4	EG058_Nylon-Washer		2

Title : EG058-075		Scale : 2.5:1		Mbs R&D	
		Sizes : Letter Landscape		Customer:	
Material:		Finish		Qty :	Rep :
N°programme laser		N°prog. Mécanum.		N° Plan : EG058-075	



Mbs Standoffs
6420 Benjamin Rd
Tampa, FL 33634
USA
813-938-6025