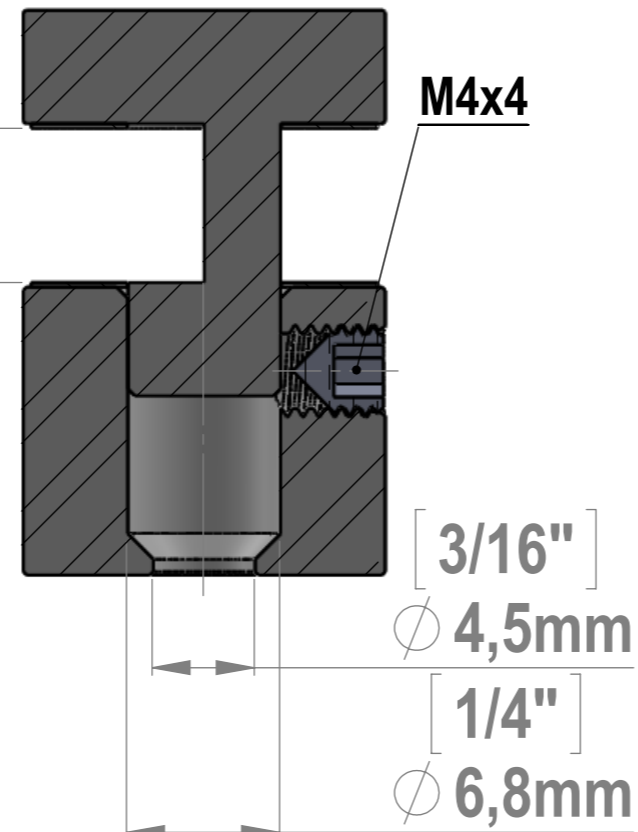


Maximum Thickness

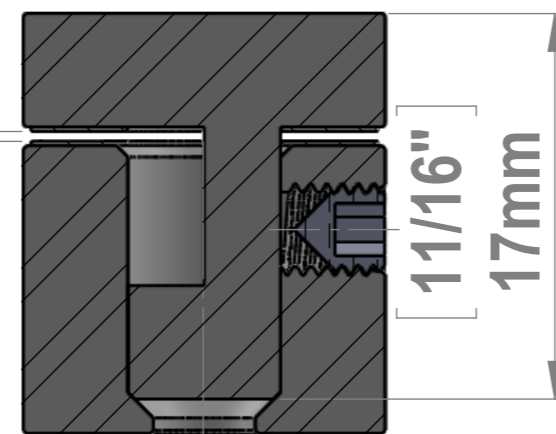
$\left[\frac{1}{4} \right]$
6,8mm

Minimum Thickness

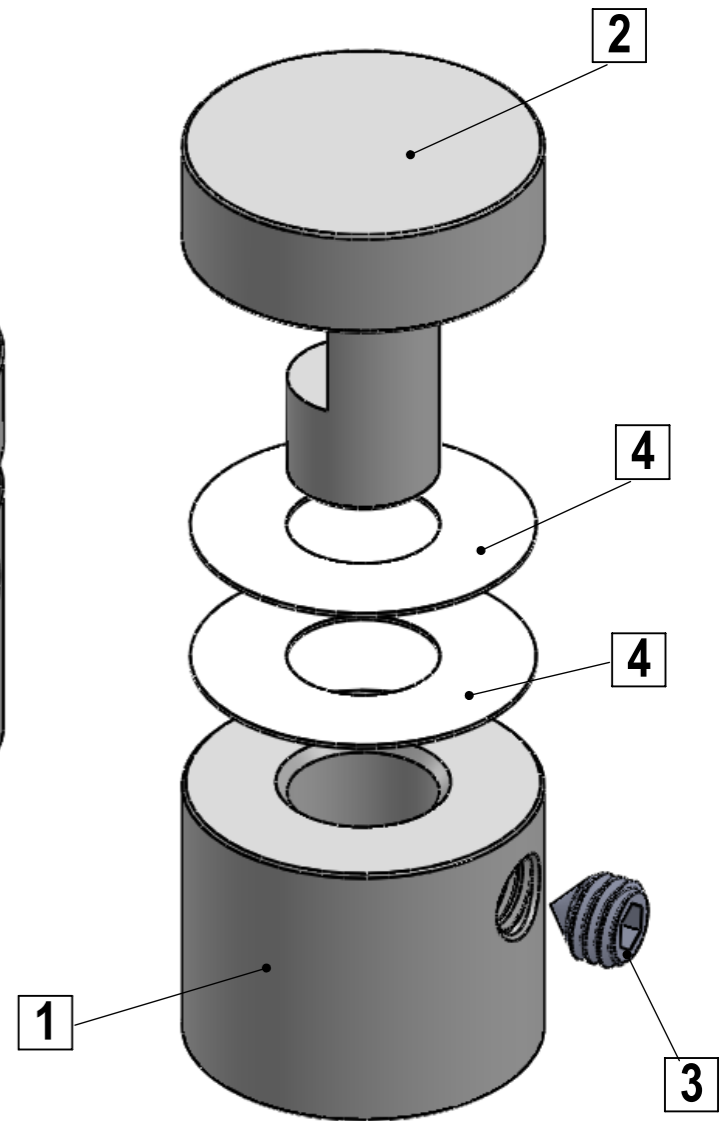
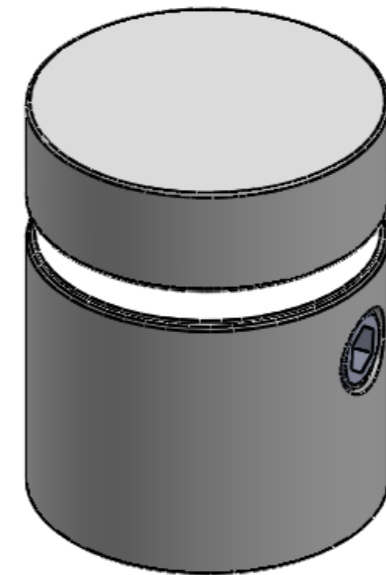
$\left[0,02in \right]$
0,4mm



SECTION B-B
SCALE 3 : 1



SECTION A-A
SCALE 3 : 1



ITEM NO.	PART NUMBER	DESCRIPTION	QTY.
1	EG058-050_Body		1
2	EG058-050_Head		1
3	Set_Screw_M4x4mm		1
4	EG058_Nylon-Washer		2

Title : EG058-050		Scale : 3:1	Mbs R&D	
		Size : Letter Landscape	Customer:	
Material:		Finish	Qty :	Rep :
N°programme laser		N°prog. Mécanum.	N° Plan : EG058-050	



Mbs Standoffs
6420 Benjamin Rd
Tampa, FL 33634
USA
813-938-6025