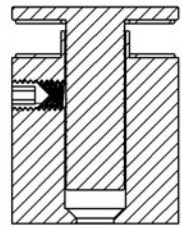


[0.16in]
4mm
Minimum
Thickness



[0.20in]
Ø5mm

SECTION A-A

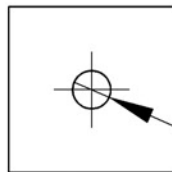


[0.35in]
Ø9mm

M4 Set Screw

[0.87in]
22mm

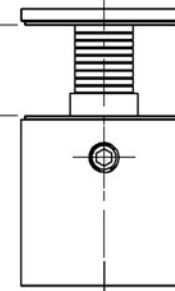
[0.87in]
22mm



[0.20in]
Ø5mm

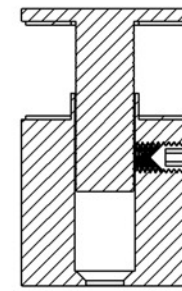
[0.47in]
12mm
Maximum
Thickness

B



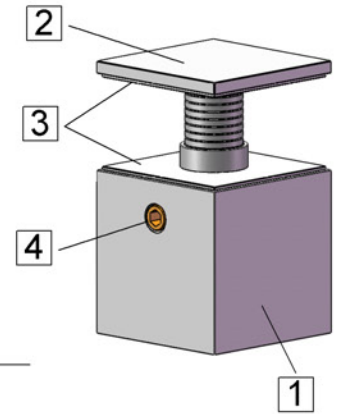
B

[0.07in]
1.70mm



[0.20in]
Ø5mm

SECTION B-B



Item	Qty.	Description
1	1	CPFI22.22 Body
2	1	CPFI22.22 Head
3	2	CPFI22.22 Foam Washer
4	1	M4x5mm Set Screw

Title : **CPFI22.22**



Scale : 1:1

Mbs R&D

Sizes : Letter Landscape

Customer:



MBS Sign USA
Tel.: 352-593-4151
Fax: 352-796-4437
Brooksville, FL

Material:

Finish

Qty :

Rep :

N°programme laser

N°prog. Mécanum.

N° Plan : CPFI22.22