

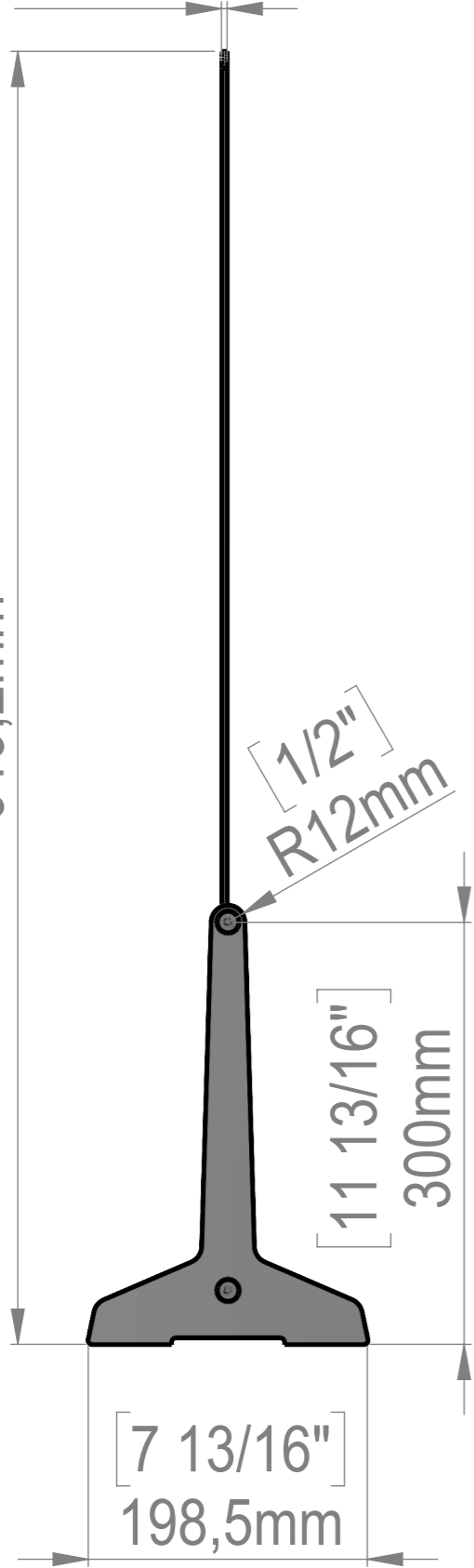
[36 3/16"]
919,2mm

[3/16"]
4mm

[1/2"]
R12mm

[11 13/16"]
300mm

[7 13/16"]
198,5mm



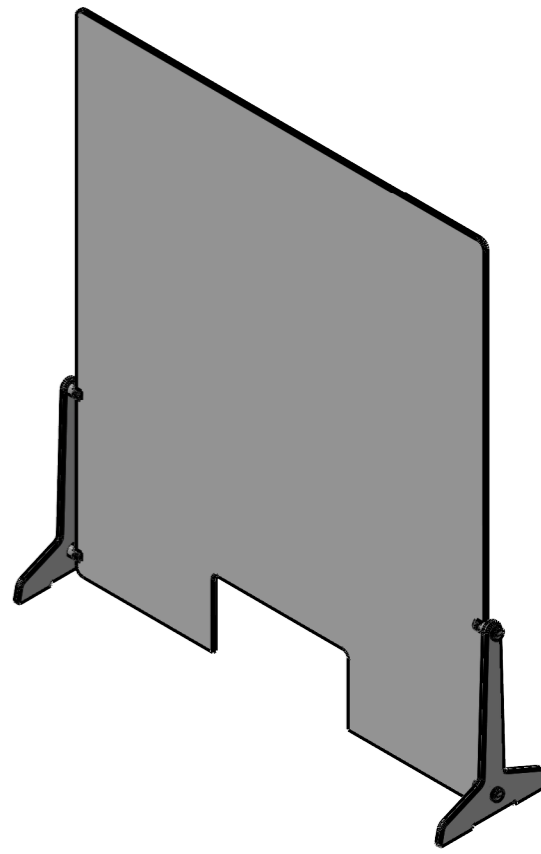
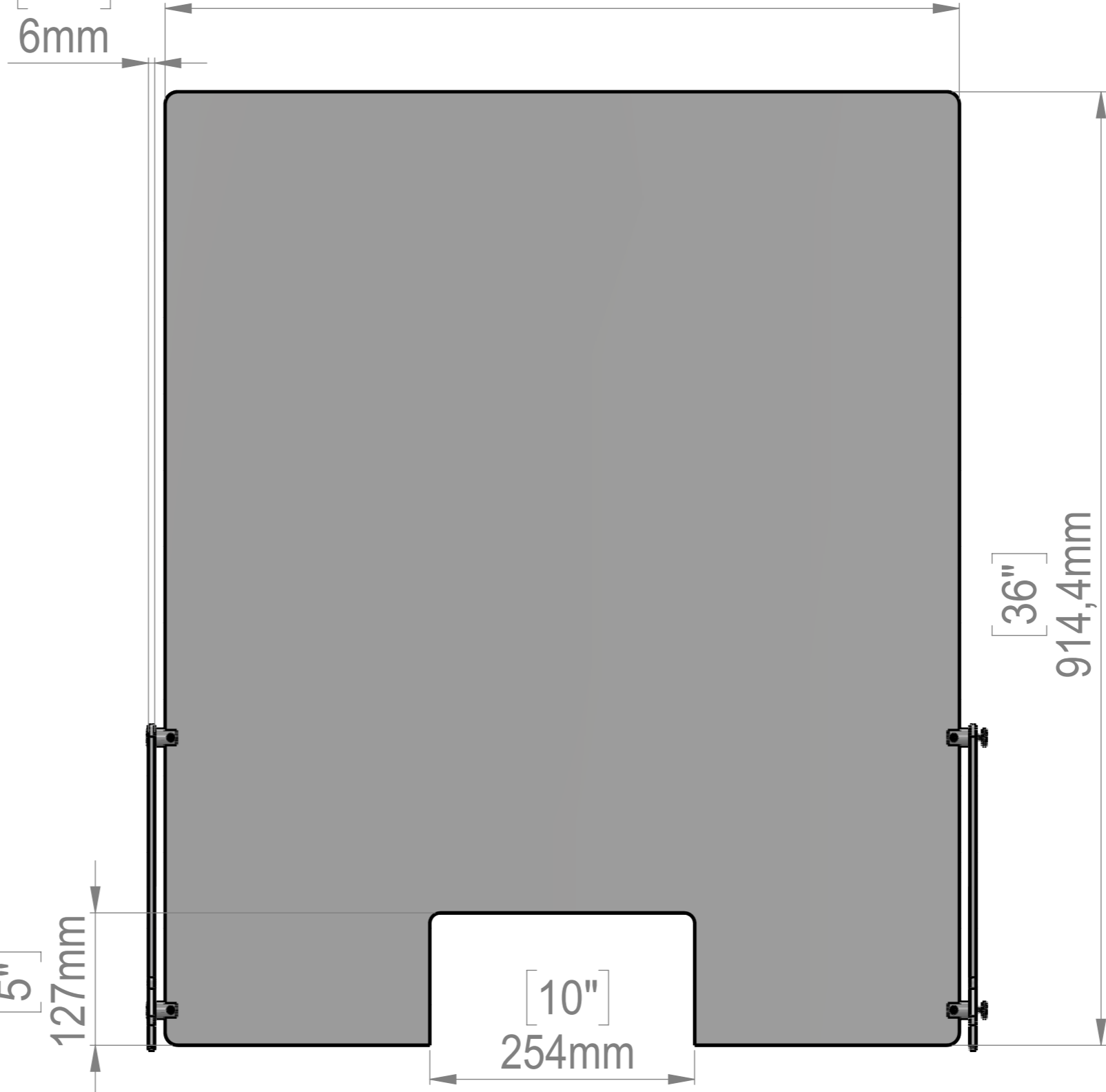
[1/4"]
6mm

[30"]
762mm

[36"]
914,4mm

[5"]
127mm

[10"]
254mm



Title : ASG30Cx36-FTA				Scale : 1:5		Mbs R&D	
				Sizes : Letter Landscape		Customer:	
 Mbs Standoffs 5046 W Linebaugh Ave Tampa, FL 33634 USA 813-938-6025		Material:		Finish		Qty :	
		N°programme laser		N°prog. Mécanum.		Rep :	
						N° Plan : RPS 24	