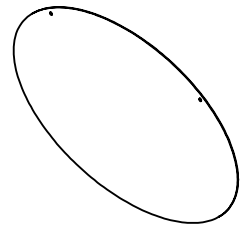
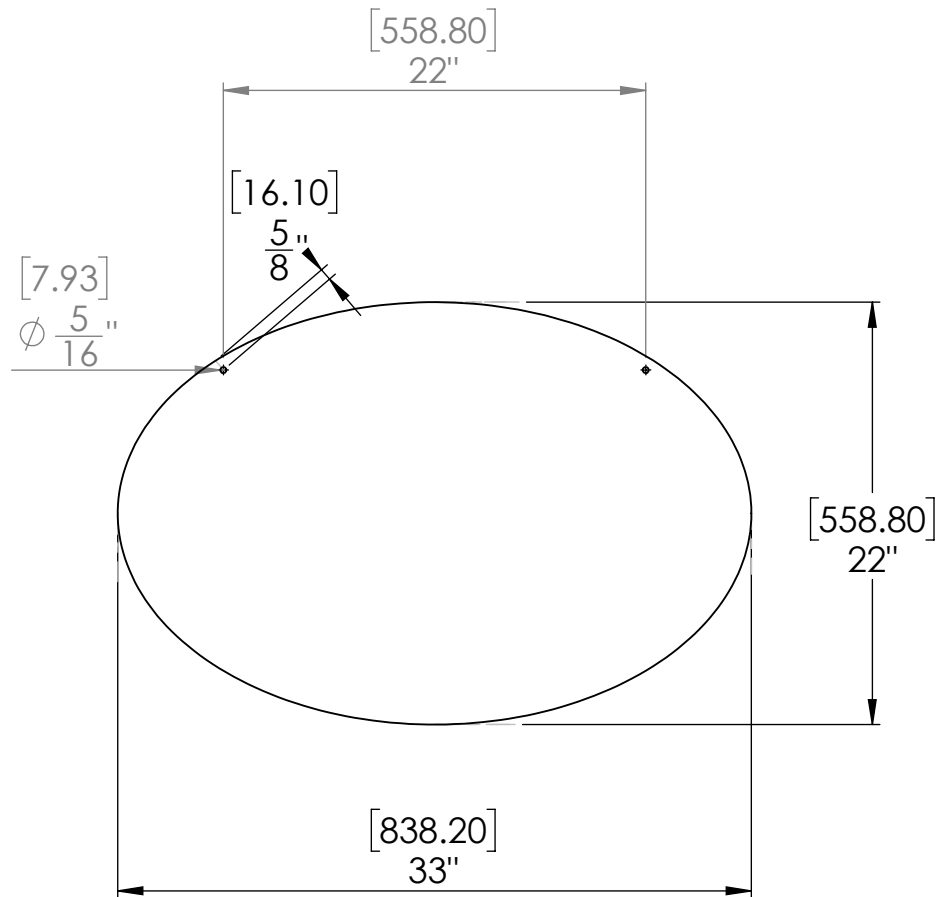
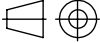



[2.00mm]
0.08"



Item #: APCB33-22-080-2P-WO	 Tolerance .XXX ± .005in [.125mm] .XX ± .01in [.25mm] .X ± .1in [2.5mm]	Scale: 1:10	Mbs R&D	
Material: Aluminum		Sizes: Letter Landscape	Customer:	
 Mbs Sign Supply 5046 Linebaugh Ave Tampa, FL 33634 USA 813 938 6025	N° programme laser	Finish: White	Qty:	Rep:
		N° prog. Mécanum.	N° Plan: APCB33-22-080-2P-WO	