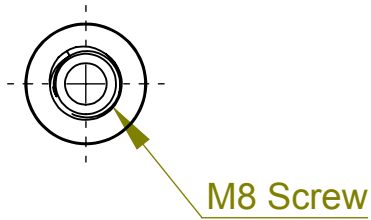
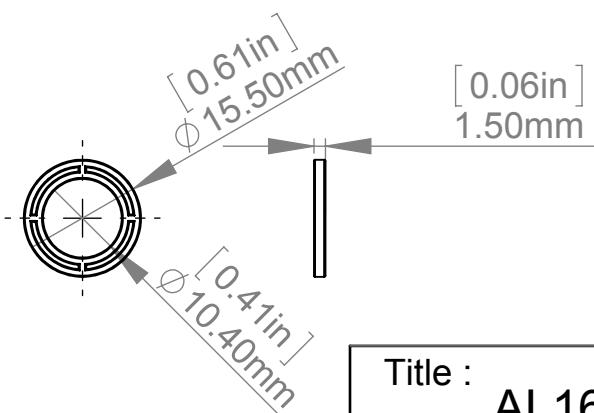


SECTION A-A

SECTION B-B



Silicon Washer



Item	Qty.	Description
1	1	AL16-70 (M10) Body (16x65)
2	1	AL16 (M10) Head
3	2	AL16 (M10) Washer
4	1	M10x10mm Screw

Title : AL16-70		Scale : 1:1		Mbs R&D	
		Sizes : Letter Landscape		Customer:	
Material:		Finish		Qty :	Rep :
N°programme laser		N°prog. Mécanum.		N° Plan : AL16-70	