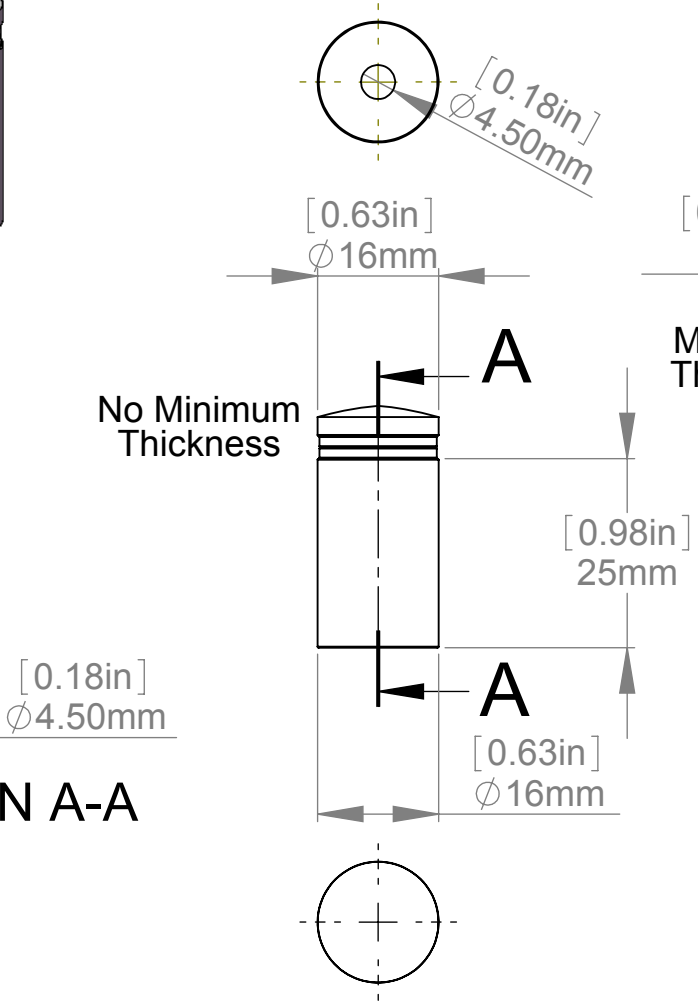
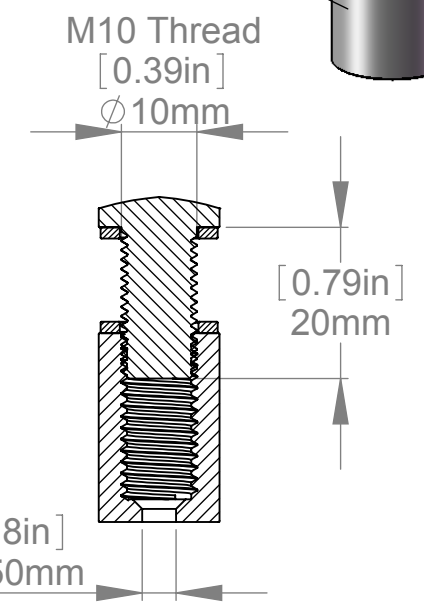
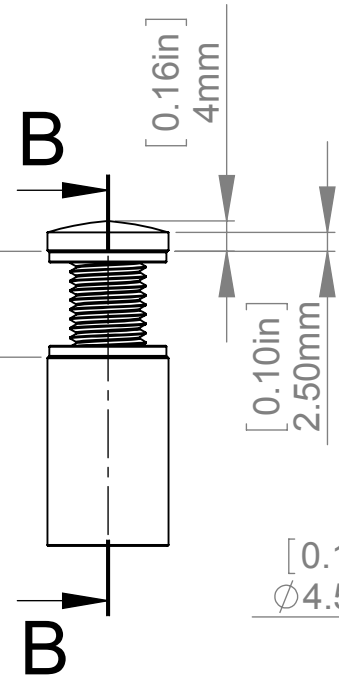


SECTION A-A




[0.55in] 14mm  
Maximum Thickness



SECTION B-B

Item	Qty.	Description
1	1	AL16-25 (M10) Body (16x20)
2	1	AL16 (M10) Head
3	2	AL16 (M10) Washer

Title : <b>ALL16-30</b>		Scale : 1:1		Mbs R&D	
 MBS USA		Material:		Customer:	
		N°programme laser		Qty :      Rep :	
		Finish		N° Plan : AL16-30	
		N°prog. Mécanum.			