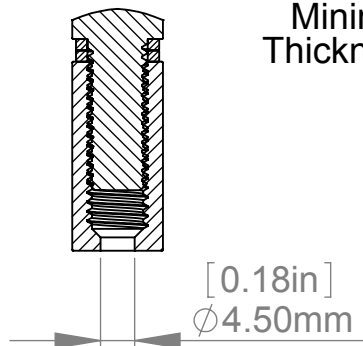
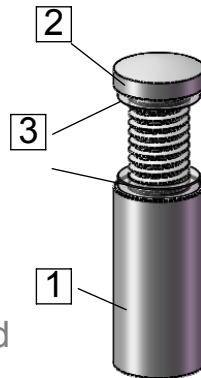
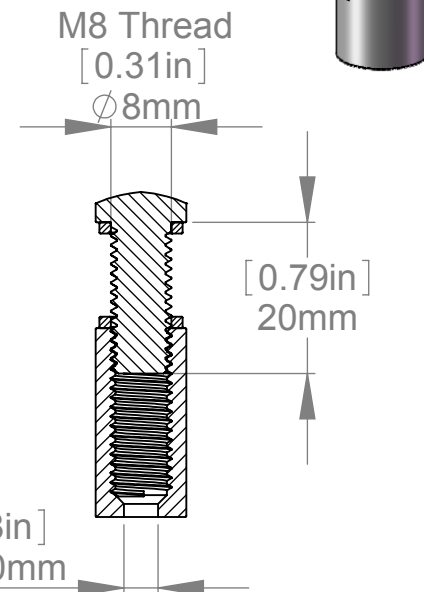
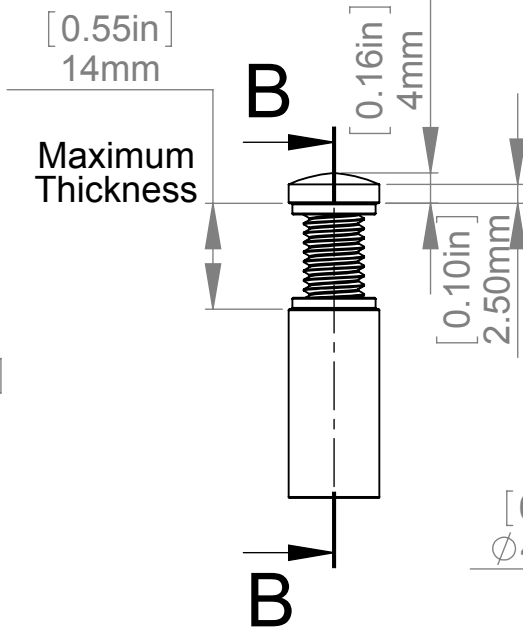


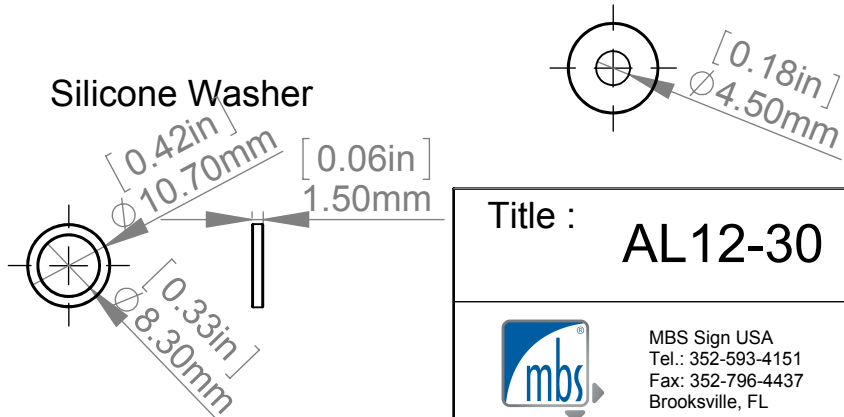
Minimum Thickness: 0



SECTION A-A

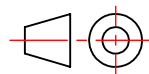
SECTION B-B

Silicone Washer



Item	Qty.	Description
1	1	AL12-25 Body (12x20)
2	1	AL12 Head
3	2	SBL12 Washer

Title : **AL12-30**



Scale : 1:1

Mbs R&D

Sizes : Letter Landscape

Customer:



MBS Sign USA
Tel.: 352-593-4151
Fax: 352-796-4437
Brooksville, FL

Material:

Finish

N°programme laser

N°prog. Mécanum.

Qty :

Rep :

N° Plan : AL12-30