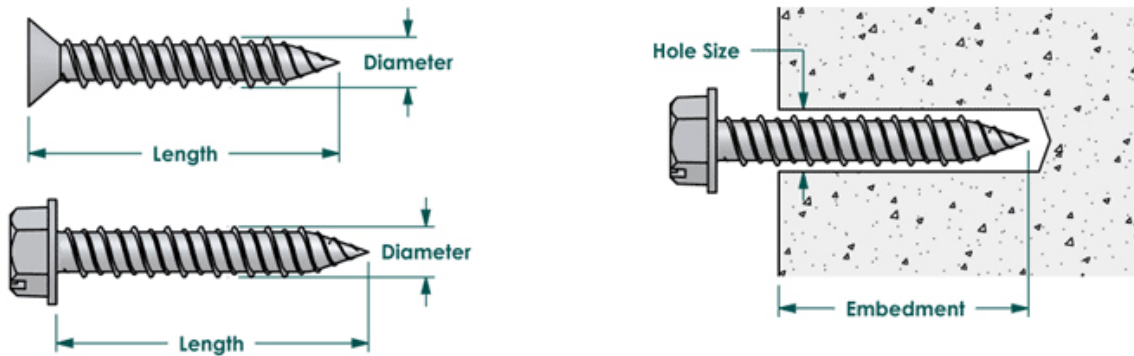




Concrete Screw Information



Screw diameter	Masonry bit size *	Screw length	Minimum embedment
3/16"	5/32"	1-1/4"	1"
		1-3/4"	1-1/8"
		2-1/4" or longer	1-1/2" **
1/4"	3/16"	1-1/2"	1"
		1-3/4"	1-1/4"
		2-1/4"	1-1/2" **
		2-3/4" or longer	2" **

* Using the incorrect masonry drill bit will affect performance, and could lead to failure.

** Embedment should not exceed 2 inches.

NOTE: Concrete screws are susceptible to galvanic corrosion when used with aluminum, or when used in environments where moisture may be present.