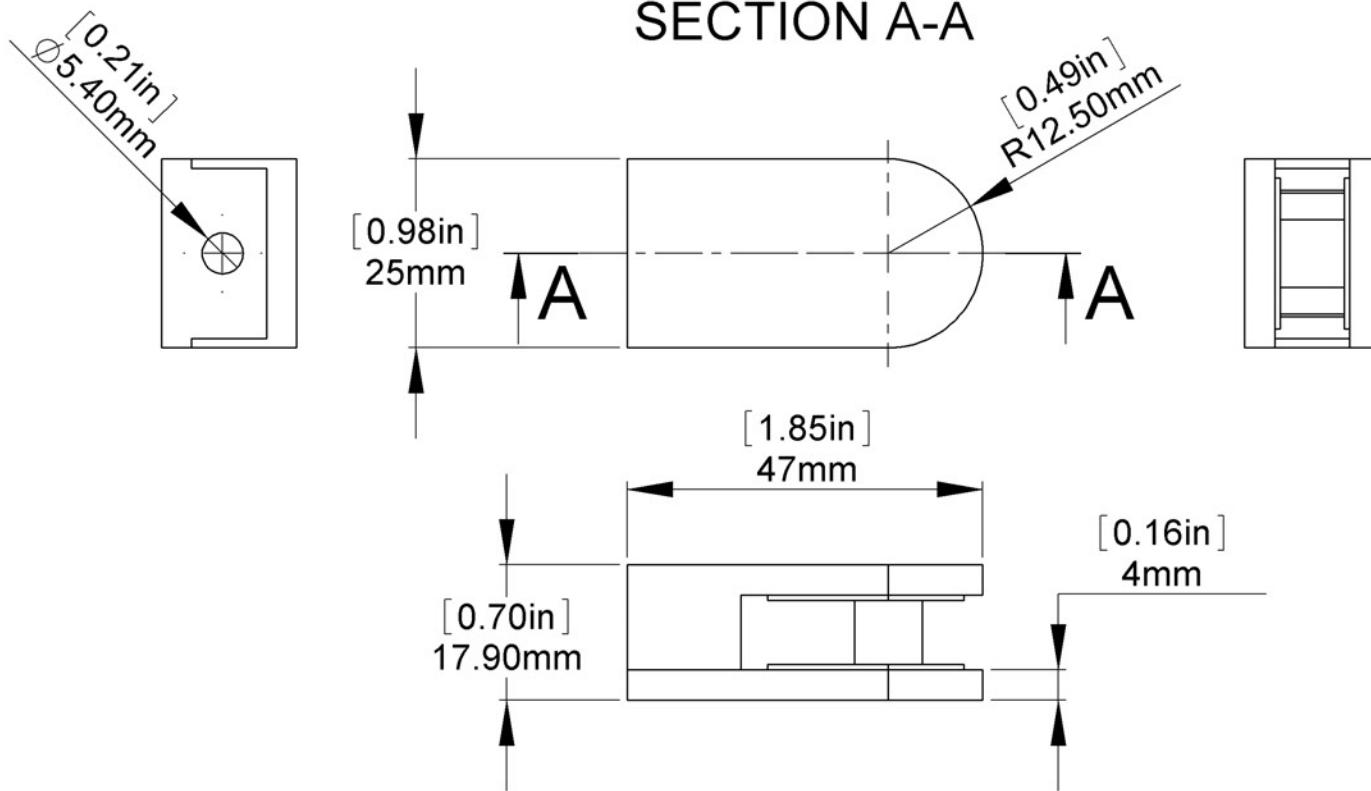
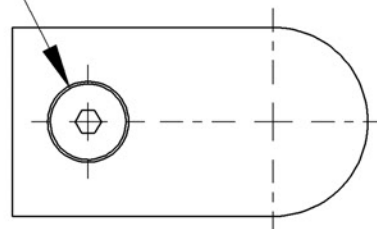


SECTION A-A



M5 Allen Key Screw Contersink



Item	Qty.	Description
1	1	100.320 Body A
2	1	100.320 Body B
3	2	100.320 Joint
4	1	100.320 Pin
5	1	100.320 Spacer Rubber
6	1	M5x12mm Allen Key Screw Contersink

Title : <b>100.320</b>			Scale : 1:1	Mbs R&D
			Sizes : Letter Landscape	Customer:
 MBS Sign USA Tel.: 352-593-4151 Fax: 352-796-4437 Brooksville, FL	Material:	Finish	Qty :	Rep :
	N°programme laser	N°prog. Mécanum.	N° Plan : 100.320	