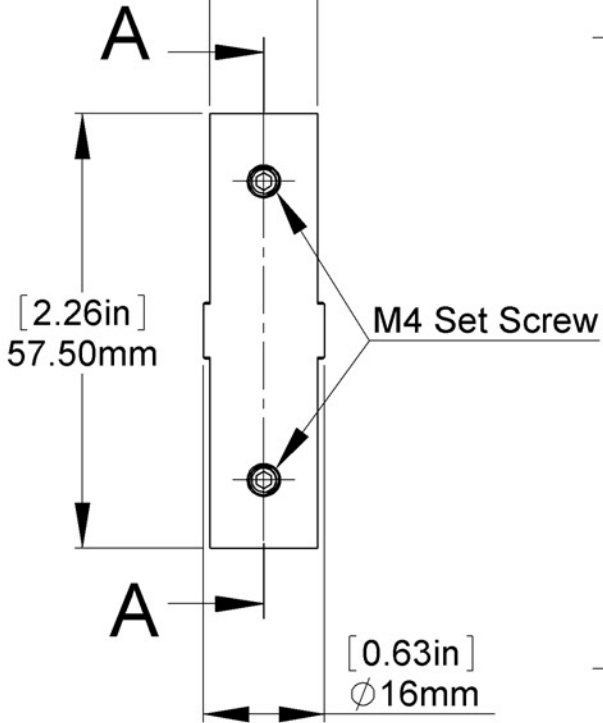
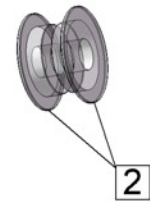
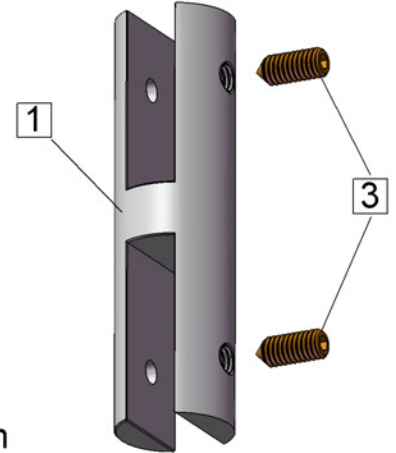
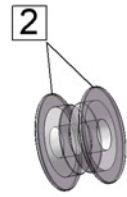
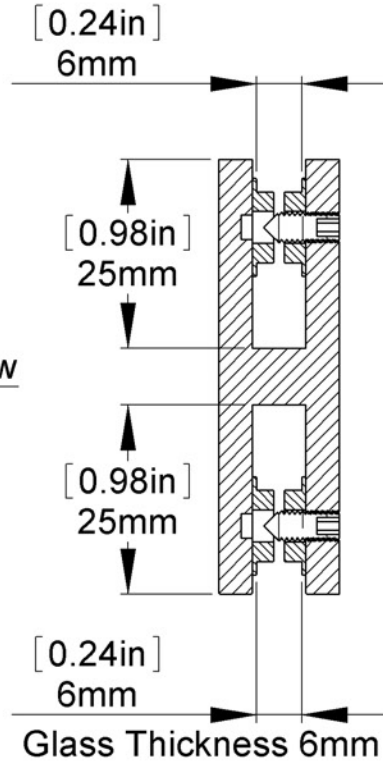


[0.56in]
14.25mm



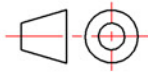
Glass Thickness 6mm



SECTION A-A

Item	Qty.	Description
[1]	1	100.269 Body
[2]	4	100.206 Washer
[3]	2	M4x10mm Set Screw

Title : 100.269



Scale : 1:1

Mbs R&D

Sizes : Letter Portrait

Customer:



MBS Sign USA
Tel.: 352-593-4151
Fax: 352-796-4437
Brooksville, FL

Material:

Finish

Qty :

Rep :

N°programme laser

N°prog. Mécanum.

N° Plan : 100.269