

Installation Guidelines

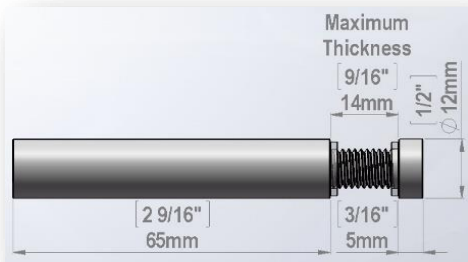
Inexpensive Standoffs



Installation Tips

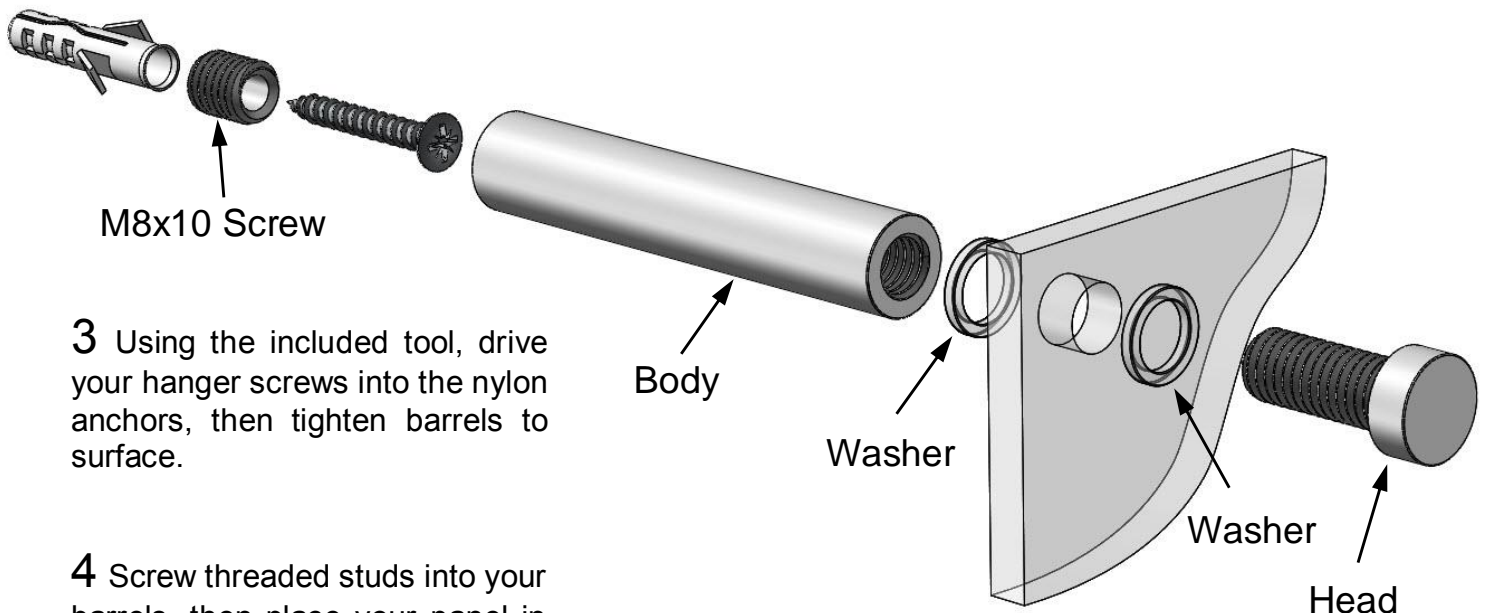


Always check the installation surface to ensure that the substrate will be strong enough to hold the weight of the panel. All installation must be done so with proper hardware and protective gears to ensure safety. It is important to check that parts are properly tightened at the end of each installation.



1 Use the holes in your material as a template to mark your surface, then insert nylon anchors into the holes and tap them flush.

2 Pre-drill 1/4" holes in your surface, then insert nylon anchors into the holes and tap them flush.



3 Using the included tool, drive your hanger screws into the nylon anchors, then tighten barrels to surface.

4 Screw threaded studs into your barrels, then place your panel in position and thread on caps until snug.

