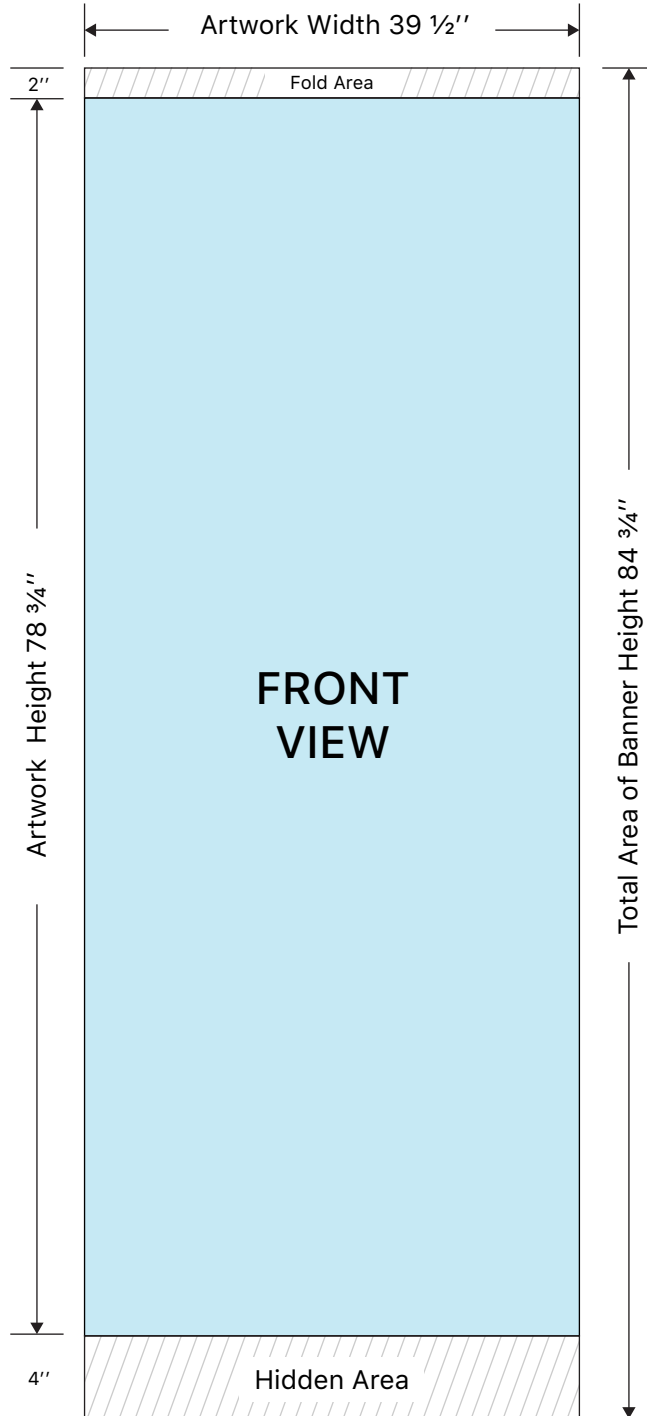




# Aluminum Economic Roll-Up Banner Assembly Instruction

**SKU: ERU1000**

Your equipment includes:  
Top Rail, Bungee Pole, Base, and Travel Bag (*Media not included*)

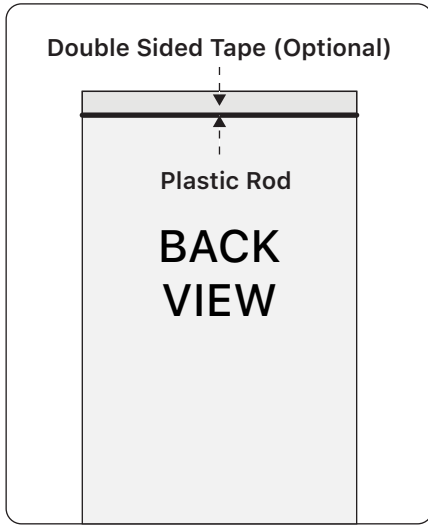


!

**KONG** FILM  
11 mil Flexible Polyethylene Film  
Waterfast  
2" Core

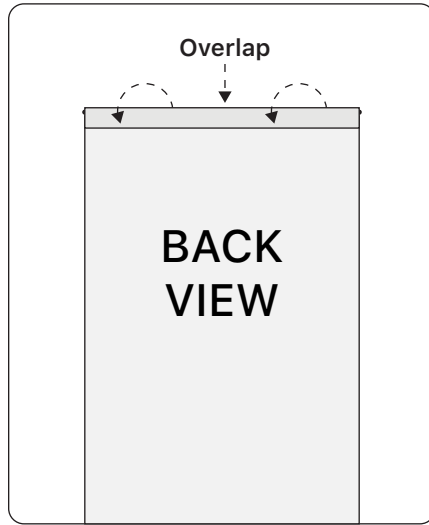
Visit [mbs-signsupply.com](http://mbs-signsupply.com)  
for recommended tools  
and vinyl films





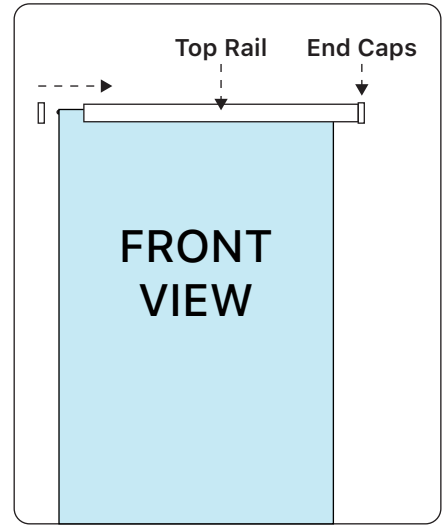
### Step 1

Add tape along top edge of banner and line up rod 1/4" below.  
*(Tape Optional, not included)*  
 or start from **Step 2**.



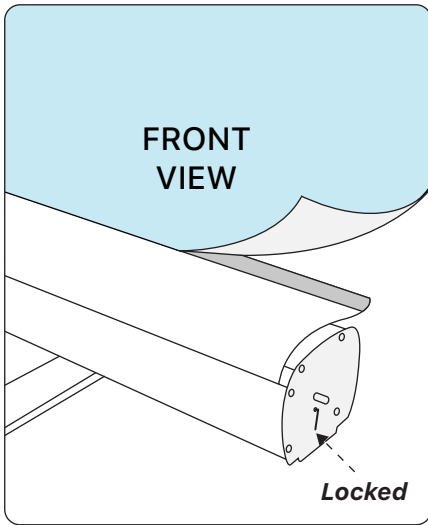
### Step 2

Fold banner material over plastic rod.



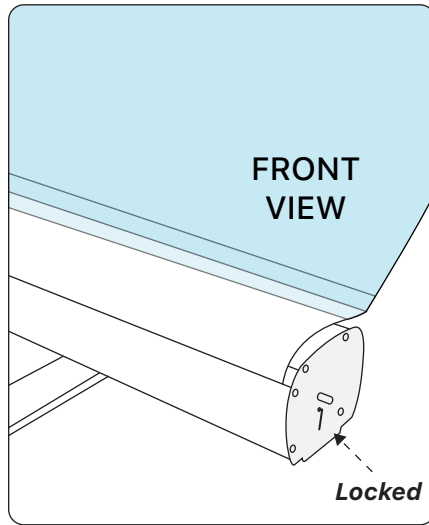
### Step 3

Slide banner material into top rail, add caps on each end.



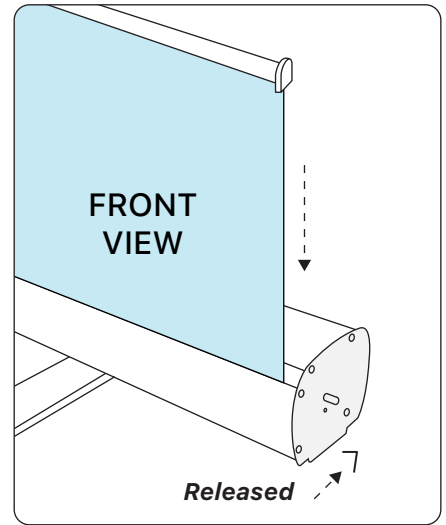
### Step 4

For first time use, attach the banner onto double-sided tape.



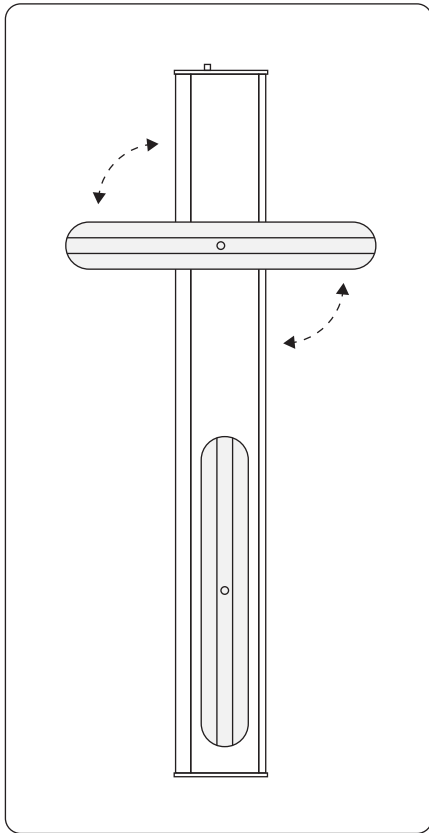
### Step 5 (Optional)

Use plastic tape over banner material for extra grip.



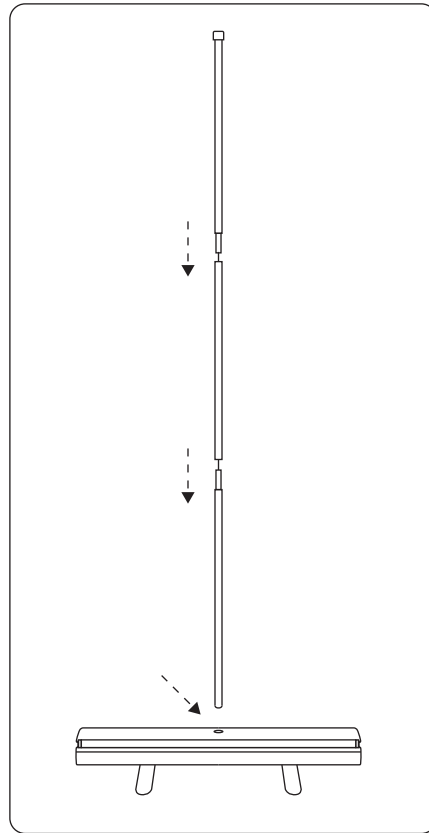
### Step 6

While holding banner tightly remove security pin slowly retract banner material back into stand.



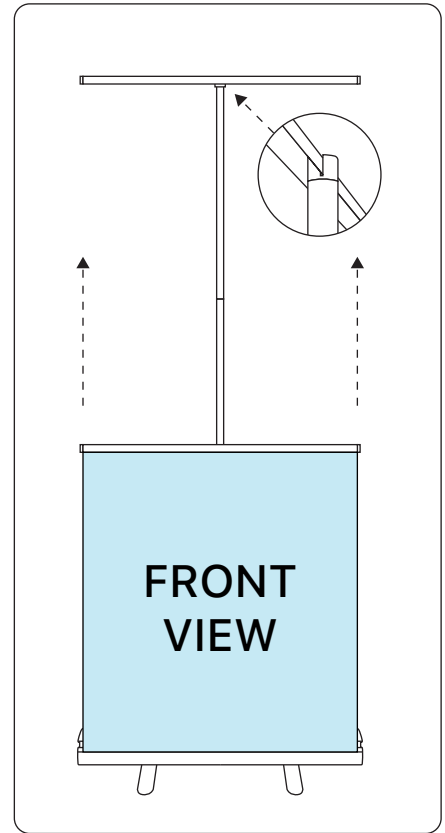
### Step 7

Pivot the attached feet so that they are perpendicular to the Roll-Up canister.



### Step 8

Insert the pole into the center hole in the base of the stand.



### Step 9

Gently pull the banner up out of the canister and the pole in the socket on silver bar at the top of the banner.



**visit [mbs-signsupply.com](http://mbs-signsupply.com)  
for more information!**

***Vinyl, Medias, Papers, Inks, Signs, Lights,  
Standoffs, Tools, Hardware and more...***

***Any questions?***

***Call +1 (813) 938-6025 or***

***Email [contact@mbs-signsupply.com](mailto:contact@mbs-signsupply.com)***

***Live Chat Available!***

